

RICOMAN[®]

KONTOR TASK LIGHT

INSTALLATION INSTRUCTIONS



PLEASE READ THESE INSTRUCTIONS CAREFULLY BEFORE INSTALLATION AND LEAVE A COPY WITH THE END USER FOR FUTURE REFERENCE.

SAFETY INFORMATION – We recommend that luminaires be installed by a fully qualified and competent electrician who understands building regulations and the current IEE wiring regulations. The light source contained in this luminaire shall only be replaced by the manufacturer or a qualified professional.

Before commencing any installation or Maintenance work, ensure that the electricity is switched off at the mains.

IMPORTANT USER INFORMATION

Please install and use strictly in accordance with these instructions. Make sure that you have all the tools and equipment to complete the installation safely and correctly. Improper installation could cause harm to your property and/or person and void your warranty.

It is the installer's responsibility to consider fire and safety risks and take appropriate precautions.

PRE INSTALLATION INSTRUCTIONS & GUIDELINES

- Do not disassemble or amend the structure of the luminaire as this can be dangerous and it would void your warranty.
- The luminaire must not be installed above hot objects such as ovens to avoid damage to the fitting.
- Ensure there is adequate space for ventilation around the fitting.
- Ensure that ALL electrical connections are tight with no loose strands.

SPECIFICATION & DIMENSIONS

Product Code: R409000

Wattage: 70W (30W direct, 40W indirect)

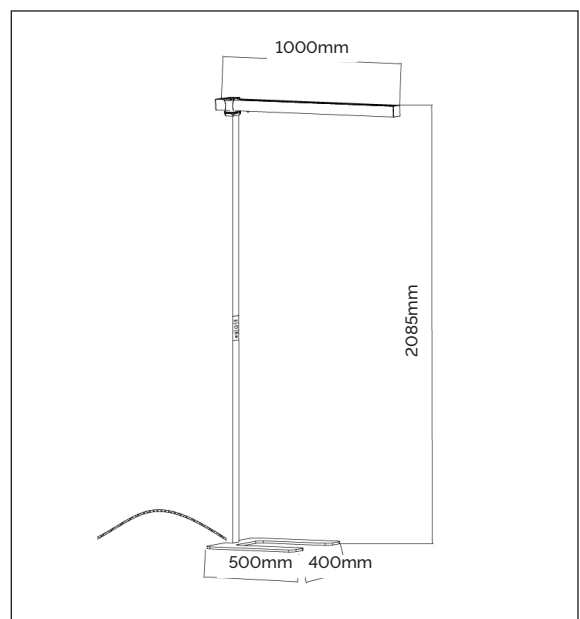
Power Supply: AC220-240V

Power Factor: >0.90

CCT: Tunable 2800K-6500K

CRI: >90 Ra

Body: Aluminium

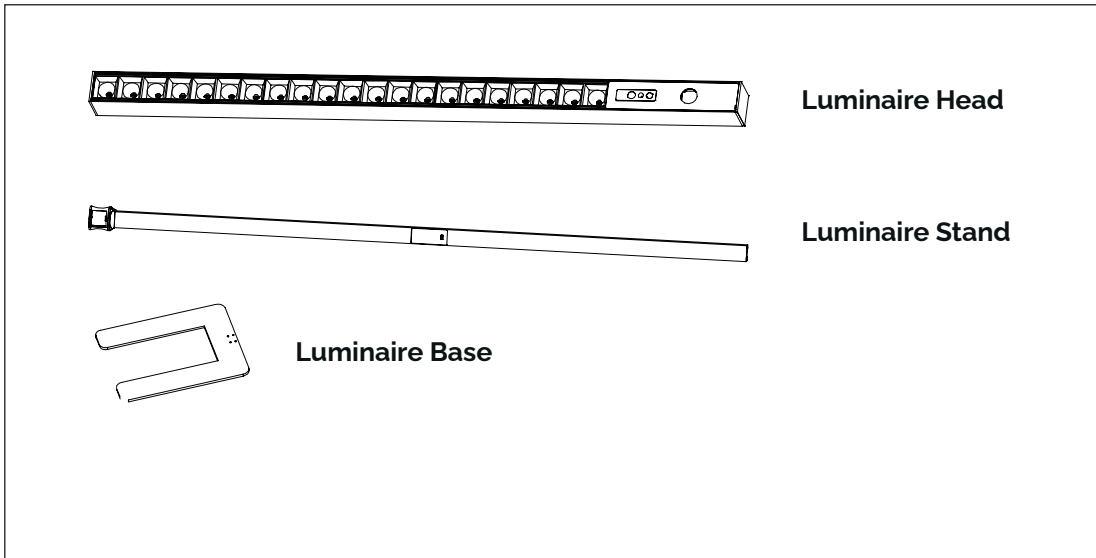


KONTOR TASK LIGHT

BUILDING THE LUMINAIRE

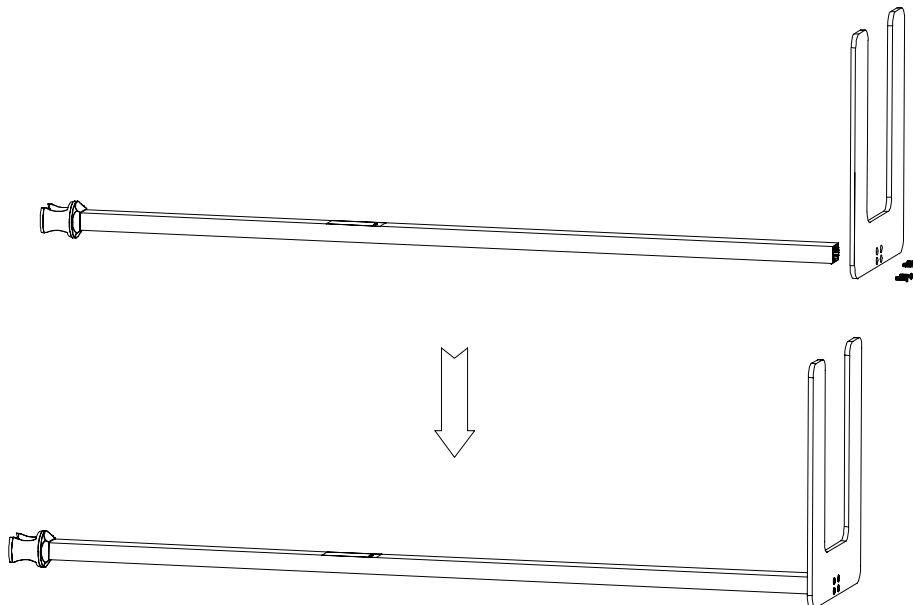
Before following these steps please ensure you have read and adhered to the guidelines and information overleaf.

PARTS CHECKLIST



STEP 1

Fix the luminaire base to the luminaire stand using the four M6*20 bolts provided.



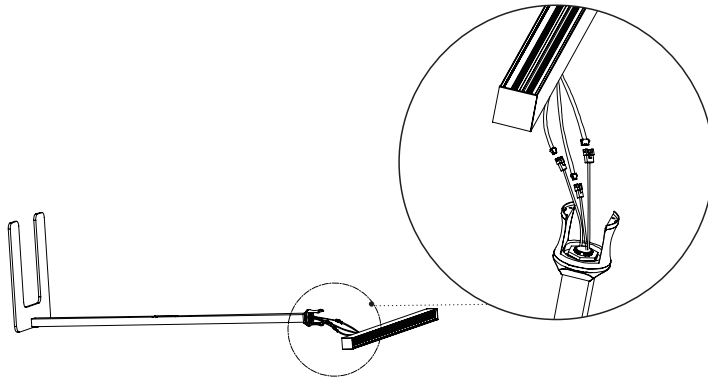
KONTOR TASK LIGHT

BUILDING THE LUMINAIRE

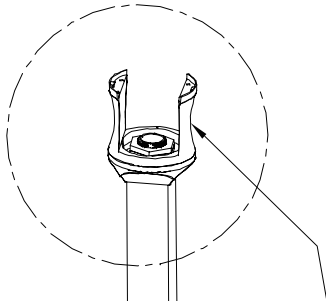
Before following these steps please ensure you have read and adhered to the guidelines and information overleaf.

STEP 2

Connect the luminaire head to the stand and connect the plugs on the head to the corresponding sockets on the Stand.

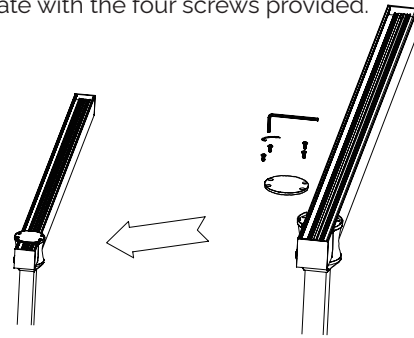


STEP 3



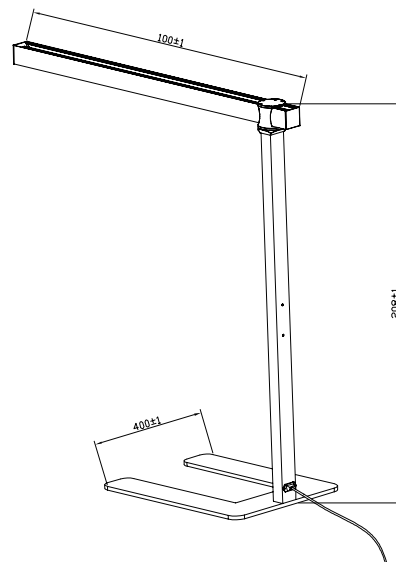
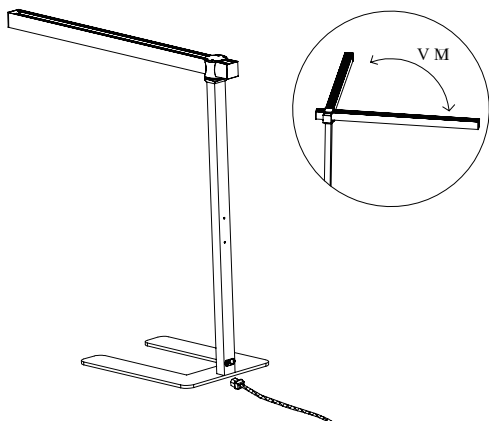
STEP 4

Secure the luminaire head to the stand by attaching the top plate with the four screws provided.



STEP 5

Ensure the luminaire head will rotate freely.



KONTOR TASK LIGHT

CONTROLLING THE LUMINAIRE

TOUCH PANEL CONTROLS



Quick press

Turn on/off uplight

Long press

Adjust brightness of uplight

Quick press

Turn on/off uplight & downlight

Long press

Adjust CCT for both uplight & downlight

Quick press

Turn on/off downlight

Long press

Adjust brightness of downlight

PHOTOCELL CONTROLS



Sensing distance is 2.5m

0 - Sensor completely off

1 - Ambient light sensing

2 - Presence detection

3 - Ambient light sensing + presence detection



ENVIRONMENTAL PROTECTION

Waste Electrical & Electronic Equipment Regulations (WEEE) requires that any of our products showing this marking must not be disposed of with other household or commercial waste. To prevent possible harm to the environment or human health from uncontrolled waste disposal, please separate any such product from other waste types and recycle it responsibly at your local facilities. Check with your Local Authority, Recycling Centre or retailer for recycling advice.

WARRANTY

This product is in warranty in the UK for a period of 5 year from the date of purchase. The guarantee is invalid in the case of improper use, installation, tampering, removal of the Q.C. date label, installation in an improper working environment or installation not according to the current edition of the IEE Wiring Regulations. Should this product fail during the warranty period, it will be replaced free of charge, subject to the aforementioned conditions and return of the faulty unit. We do not accept responsibility for any installation costs associated with the replacement of this product. Your statutory rights are not affected.