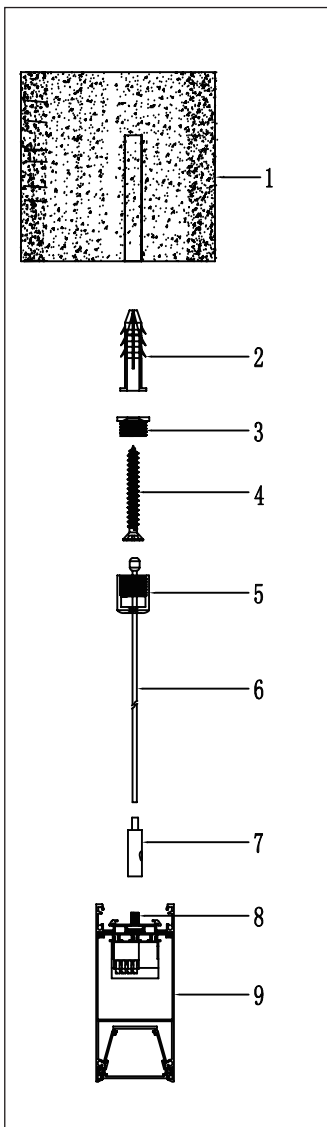
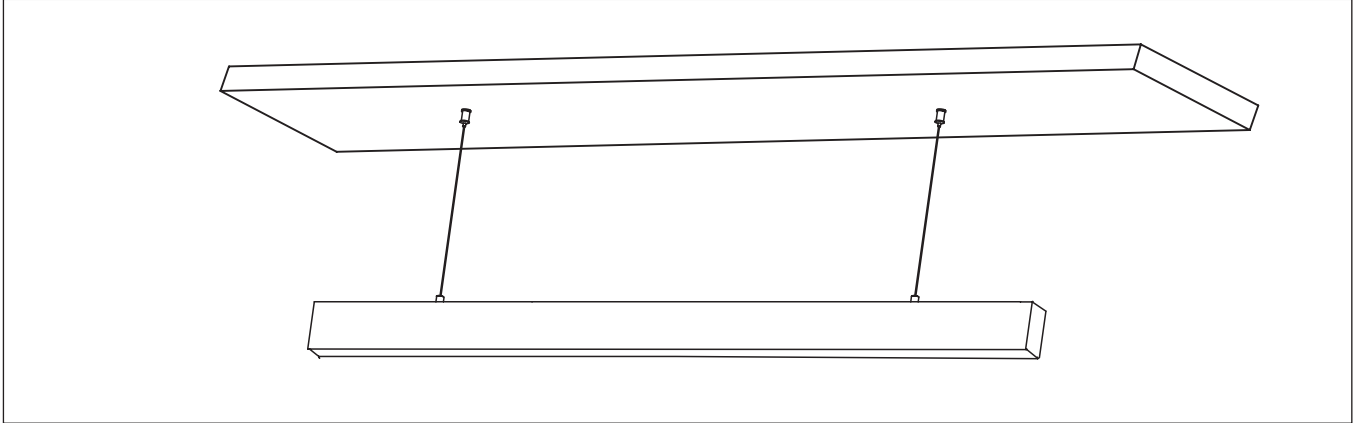


# Estrella Pro

## SUSPENSION MOUNTING GUIDE

Before following these steps please ensure you have read and adhered to the guidelines and information overleaf. Remove the product from the box and inspect it for any damage. If the luminaire is in a good condition, proceed with the installation.

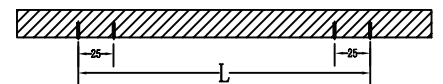
### SUSPENSION POINTS



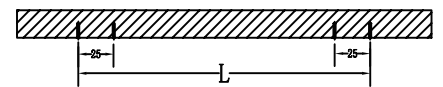
### PART LIST

1. Ceiling
2. Fixing plug X2
3. Ceiling Suspension Cap X2
4. M4 Screw X2
5. Ceiling Suspension Fixture x2
6. Suspension Cable X2.
7. Cable Locking Fxture X2
8. M5 T Screw X2
9. Luminaire

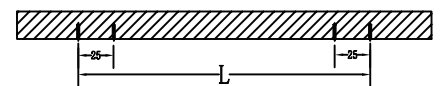
### RECCOMENDED FIXING POINTS



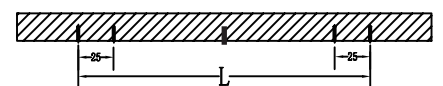
**532mm Length** 2 fixing points



**1064mm Length** 2 fixing points



**1596mm Length** 2 fixing points



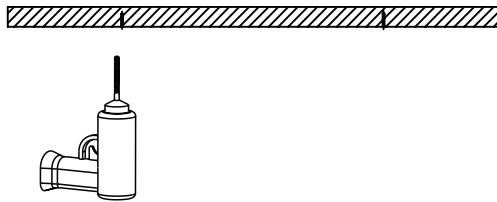
**2128mm Length** 2 fixing points

# Estrella Pro

## SUSPENSION MOUNTING STEPS

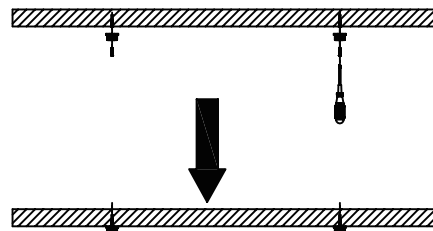
### STEP 1

Ensure power is turned off. Drill two holes into the ceiling for the suspension points. Insert the supplied fixing plugs into the holes.



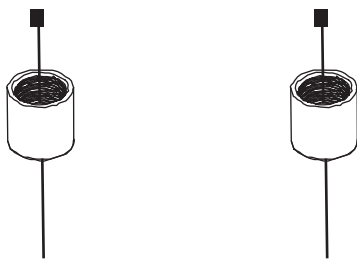
### STEP 2

Insert M4 screw into the Ceiling Suspension Cap and screw into the raw plug that sits in the ceiling.



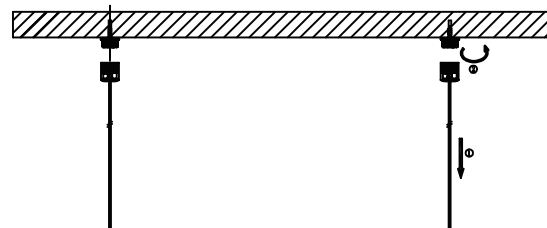
### STEP 3

Slide the Suspension Cable through the threaded end of the Ceiling Suspension Fixture.



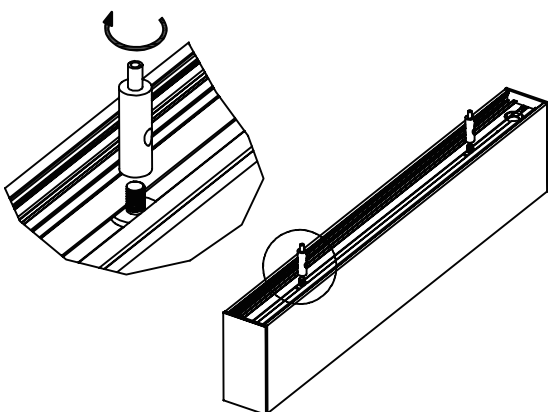
### STEP 4

Twist the Ceiling Suspension Fixture into the Ceiling Suspension Cap.



### STEP 5

Twist the Cable Locking Fixture into the M5 T Screw in the luminaire.



### STEP 6

Thread the Suspension Cable into the Cable Locking Fixture until the Suspension Cable comes out of the hole. Adjust the cables to the desired length and then cut off the excess suspension cable.

