

Soar Product Datasheet

Emergency Downlight

Product Data

Part Code	R221551
Warranty	3 years
Applications	Interior
Certification(s)	CE, RoHS

Physical Data

Construction Material	Polycarbonate
Diffuser Type	Polycarbonate
Colour Finish	White
Luminaire Fixing	Surface mounted
Unit Weight (kg)	0.35 Kg

Electrical Data

Voltage Range	AC220-240v
Power Factor	0.28
Inrush Current	<16A
Running Current	DC460mA
Protection Class IEC	Class I

Performance Data

Wattage	3W
Operating Temperature	0°C to +40°C
Beam Angle	160° 170°
Kelvin	6500K
Operating Hours	>30000
IP Rating	IP20
IK Rating	IK08
CRI	>75Ra
Maintained	Non Maintained
Battery Type	NiCd
Battery Duration	>3 hours
Self-Test	Yes
Light Source	SMT LED 2x30 pcs

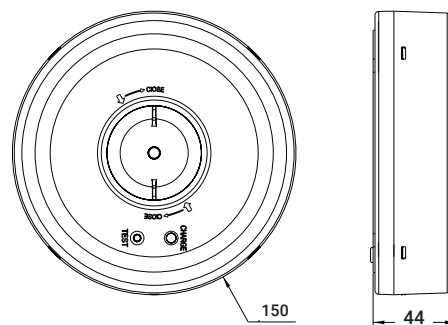
Open Area or Corridor Option



Part Code

	Optic Option	Lumens
R221551/OA	Open Area	150
R221551/C	Corridor	137

Dimensions (mm)



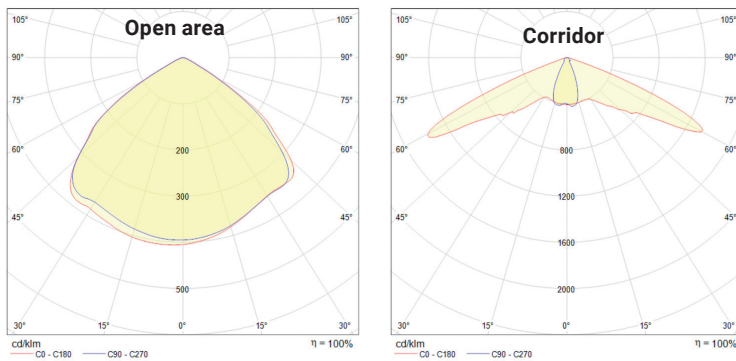
Soar Family

Part Code: R221551

Suffix	Option
/OA	Open Area
/C	Corridor

} 1st Add optics suffix

Light Distribution:



Emergency Spacings

Open Area - 0.5 lux		
Mounting Height:	From Wall	Spacing
2.5m	2.5m	7m
3.0m	3.0m	8m
Corridor - 1.0 lux		
Mounting Height:	From Wall	Spacing
2.5m	5.0m	13m
3.0m	6.0m	14m

