

Soar Emergency INSTALLATION INSTRUCTIONS



PLEASE READ THESE INSTRUCTIONS CAREFULLY BEFORE INSTALLATION AND LEAVE A COPY WITH THE END USER FOR FUTURE REFERENCE.

SAFETY INFORMATION – We recommend that luminaires be installed by a fully qualified and competent electrician who understands building regulations and the current IEE wiring regulations. The light source contained in this luminaire shall only be replaced by the manufacturer or a qualified professional.

Before commencing any installation or Maintenance work, ensure that the electricity is switched off at the mains.



IMPORTANT USER INFORMATION

Please install and use strictly in accordance with these instructions. Make sure that you have all the tools and equipment to complete the installation safely and correctly. Improper installation could cause harm to your property and/or person and void your warranty. It is the installer's responsibility to consider fire & safety risk and take appropriate precautions.

PRE INSTALLATION INSTRUCTIONS & GUIDELINES

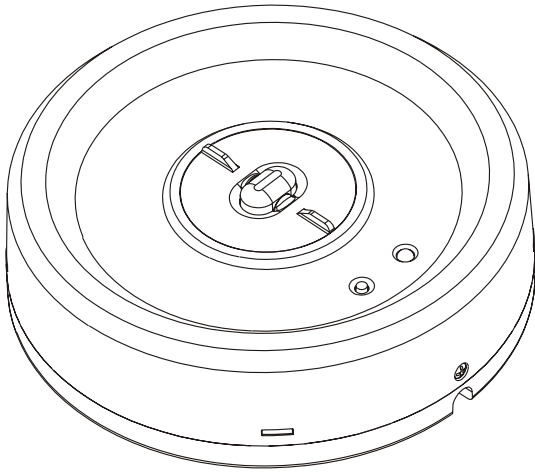
- Switch off the mains before commencing installation and remove the appropriate circuit fuse or lock off the Mains Circuit Board.
- Do not disassemble or amend the structure of the luminaire and also do not introduce any parts other than the ones provided to the inside of this fitting, as this can be dangerous and it would void your warranty.
- The luminaire must be installed on a surface which should be firm enough to hold the weight of more than five times of the fitting itself.
- The luminaire must not be installed above hot objects such as ovens to avoid damage to the fitting.
- LED Chips can be susceptible to damage by gases, vapours, etc emitted by other materials, especially rubber, causing a severe reduction in light output.
- Ensure there is adequate space for ventilation around the fitting.
- Ensure that all electrical connections are tight with no loose strands.
- This product is designed for permanent connection to fixed wiring and must be fixed to a suitable circuit (protected with the appropriate Mains Circuit Board or fuse).
- This product is not suitable for use on highly flammable surfaces (e.g. polystyrene, textiles).
- Before making the fixing hole(s), check that there are no obstructions hidden beneath the mounting surface, such as pipes or cables.

SPECIFICATION

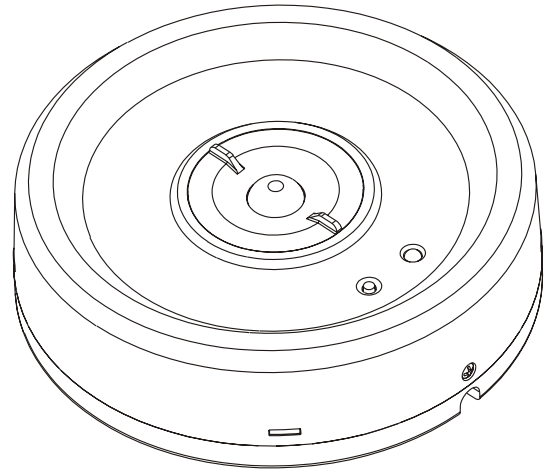
- Operating environmental temperature: 0-40 °C
- Rated voltage: 220-240V
- Rated power: 3W
- Emergency Duration: more than 180 minutes
- Battery installed or replaced: 3.6V 2Ah Ni-Cd
- Recharge time: 24 hours

Soar Emergency

INSTALLATION & WIRING STEPS



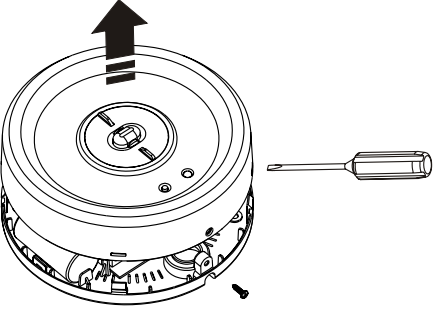
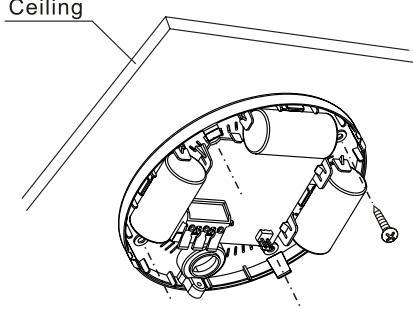
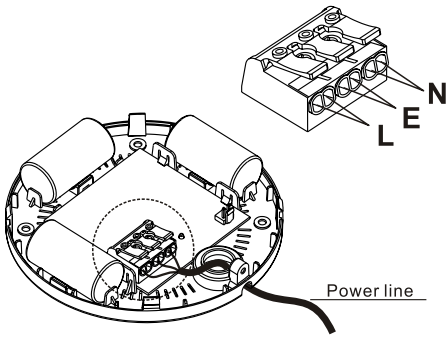
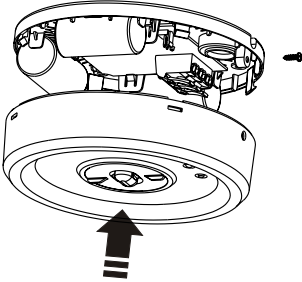
R221551/C - SOAR CORRIDOR



R221551/OA - SOAR OPEN AREA

Before following these steps please ensure you have read and adhered to the guidelines and information overleaf. Remove the product from the box and inspect it for any damage. If the luminaire is in a good condition, proceed with the installation.

INSTALLATION

<p>STEP 1</p> 	<p>STEP 2</p> 
<p>STEP 3</p> 	<p>STEP 4</p> 

INSTALLATION:

1. Remove the screw from the side and lift off front cover.
2. Using the back of the fitting as a template, mark and drill out fixing holes on your mounting surface. Prepare fixing points to mounting surface as appropriate. Secure the back of the fitting to the mounting surface using suitable fixings.
3. Insert the supply cable and connect it to the terminals
4. Refit the front cover and tighten screws.

Allow a short period for part charging of the batteries and then isolate the mains supply to the fitting in order to check the correct operation of the fitting in emergency mode. In the first use, after a continuous charge for 24 hours, a mains failure should be simulated to ensure that the fitting work for its specified time (only at a safe & appropriate time). The fitting will be fully charged with in 24 hours' continuous charging.

REGARD TO SAFETY TO THE INSTRUCTIONS:

1. Minimum distances around the apparatus should be ensured for sufficient ventilation.
2. The ventilation should not be impeded by being covered with newspapers, table-cloths, curtains, etc.
3. Pay attention to the environment by disposal of batteries.
4. If the external flexible cable or cord of this luminaire is damaged, it shall be exclusively replace by a qualified person in order to avoid a hazard.

5. Batteries are the Ni-Cd type and have a normal service life of approximately 4 years. Batteries should in any case, be replaced only with the type specified, and exclusively replaced by a qualified person.

6. Before commencing installation (and before maintenance at any time), ensure that the main supply and the battery pack are disconnected.

TESTING

How to use the test button:

- Press for 1 second to reset the timer function, the monthly test will then be conducted after 30 days and the annual test after 360 days.
- Press for 3 seconds to initiate a 5 minute functional test.

INDICATOR WORKING PERFORMANCE

Normal - Green indicator working

Battery failure - Red indicator flashing once every 3 seconds

Light source failure - Red indicator flashing twice every 3 seconds

Failure of duration test - Red indicator flashing three times every 3 seconds

AUTO TESTING

This product is fitted with an automatic, self-test function that will commission and test itself in accordance with the requirements of the British Standards. Monthly and annual tests will be automatically completed as detailed below with tests including battery charge condition, functional test and duration test.

1. An automatic test will run once every month for 10 minutes. The light will return to normal after 10 minutes.

2. An automatic test will run once a year for 3 hours. the light will return to normal after 10 minutes.


PRODUCT CODE: _____

LOCATION: _____

INSTALLATION DATE: _____

INSTALLED BY: _____

MONTH	TEST	FIRST YEAR		SECOND YEAR		THIRD YEAR		FOURTH YEAR		FIFTH YEAR	
		SIGNED	DATE	SIGNED	DATE	SIGNED	DATE	SIGNED	DATE	SIGNED	DATE
JANUARY	FUNCTION										
FEBRUARY	FUNCTION										
MARCH	FUNCTION										
APRIL	FUNCTION										
MAY	FUNCTION										
JUNE	FUNCTION										
JULY	FUNCTION										
AUGUST	FUNCTION										
SEPTEMBER	FUNCTION										
OCTOBER	FUNCTION										
NOVEMBER	FUNCTION										
DECEMBER	FUNCTION										

 **ENVIRONMENTAL PROTECTION**
 Waste Electrical & Electronic Equipment Regulations (WEEE) requires that any of our products showing this marking must not be disposed of with other household or commercial waste. To prevent possible harm to the environment or human health from uncontrolled waste disposal, please separate any such product from other waste types and recycle it responsibly at your local facilities. Check with your Local Authority, Recycling Centre or retailer for recycling advice.

WARRANTY
 This product is in warranty in the UK for a period of 3 year from the date of purchase. The guarantee is invalid in the case of improper use, installation, tampering, removal of the Q.C. date label, installation in an improper working environment or installation not according to the current edition of the IEE Wiring Regulations. Should this product fail during the warranty period, it will be replaced free of charge, subject to the aforementioned conditions and return of the faulty unit. We do not accept responsibility for any installation costs associated with the replacement of this product. Your statutory rights are not affected.