

Gemini Product Datasheet

Twin Spot

Product Data

Part Code	R221651
Warranty	3 years
Applications	Interior / Exterior
Certification(s)	CE, RoHS

Physical Data

Construction Material	Polycarbonate
Diffuser Type	Polycarbonate
Colour Finish	White
Luminaire Fixing	Surface mounted / suspended
Unit Weight (kg)	1.08 Kg

Electrical Data

Voltage Range	AC230V 50Hz +/- 10%
Power Factor	0.28
Inrush Current	<16A
Running Current	DC150mA
Protection Class IEC	Class I

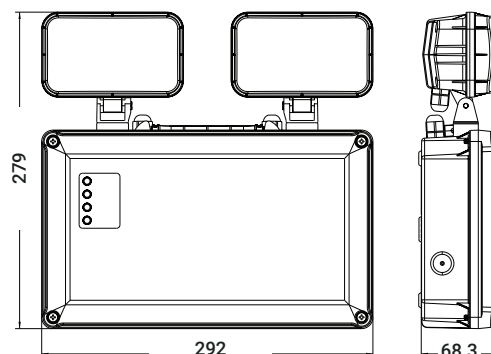
Performance Data

Wattage	2x3W
Lumens	368
Operating Temperature	-5°C to +40°C
Beam Angle	60°
Kelvin	6500K
Operating Hours	>30000
IP Rating	IP65
IK Rating	IK08
CRI	>74Ra
Maintained	Non Maintained
Battery Type	3.6V 3000mAh Nickel Cadmium
Battery Duration	>3 hours
Self-Test	Yes
Light Source	SMT LED 2x30 pcs

IP65 protection, Self-Test, Easy to install



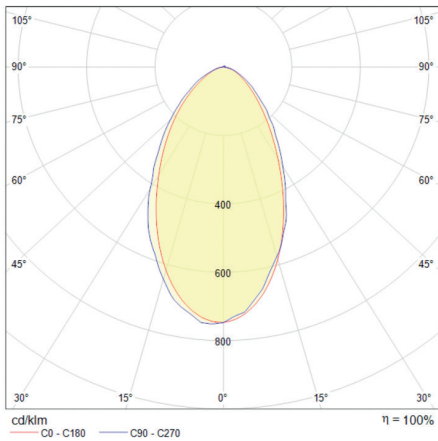
Dimensions (mm)



Gemini

Part Code: R221651

Light Distribution:



Emergency Spacings

Mounting Height	Transverse distance to wall	Square spacing	Axial to wall front of luminaire	Axial to wall rear of luminaire
3m	2.5m	6.6m	5.0m	2.7m
4m	2.7m	8.7m	6.0m	2.9m
6m	3.4m	10.0m	7.2m	3.0m
8m	4.3m	11.2m	8.0m	4.0m

