

RICOMAN[®]

HYDRA FLOODLIGHT

INSTALLATION INSTRUCTIONS



PLEASE READ THESE INSTRUCTIONS CAREFULLY BEFORE INSTALLATION AND LEAVE A COPY WITH THE END USER FOR FUTURE REFERENCE.

SAFETY INFORMATION – We recommend that luminaires be installed by a fully qualified and competent electrician who understands building regulations and the current IEE wiring regulations. The light source contained in this luminaire shall only be replaced by the manufacturer or a qualified professional.

Before commencing any installation or Maintenance work, ensure that the electricity is switched off at the mains.



IMPORTANT USER INFORMATION

Please install and use strictly in accordance with these instructions. Make sure that you have all the tools and equipment to complete the installation safely and correctly. Improper installation could cause harm to your property and/or person and void your warranty.

It is the installer's responsibility to consider fire and safety risks and take appropriate precautions.

PRE INSTALLATION INSTRUCTIONS & GUIDELINES

- Do not disassemble or amend the structure of the luminaire as this can be dangerous and it would void your warranty.
- Ensure that ALL electrical connections are tight with no loose strands.
- This product may contain substances that can be hazardous to the environment if not disposed of properly.
- Electrical and electronic equipment should never be disposed of with general household waste but must be separated for its correct treatment and recovery. Where possible recycle your packaging.
- This product contains a light source of energy efficiency class F.

SPECIFICATION & DIMENSIONS

Product Code	Wattage	Lumens	Running Current	Unit Weight (kg)
R301500/50W	50W	5654	625mA	0.94
R301500/100W	100W	13904	220mA	2.20
R301500/150W	150W	19119	470mA	4.13
R301500/200W	200W	27744	625mA	5.50

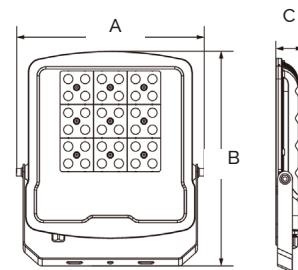
Kelvin: 5000K

Power Supply: AC220-240V

Power Factor: >0.90

CRI: >80 Ra

Body: Die-Cast Aluminium



Wattage	A	B	C
50W	200mm	237mm	39mm
100W	282mm	321mm	41mm
150W	420mm	333mm	51mm
200W	470mm	385mm	51mm

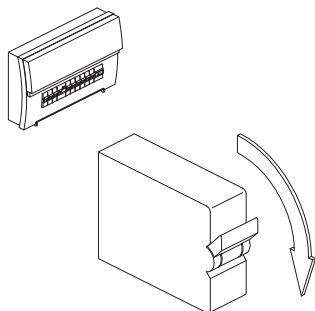
Hydra LED Floodlight

INSTALLATION STEPS

Before following these steps please ensure you have read and adhered to the guidelines and information overleaf.

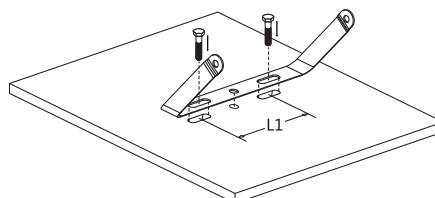
STEP 1

Turn off the mains power supply.



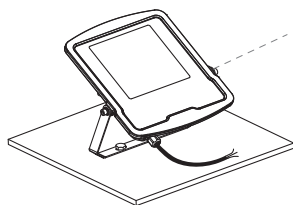
STEP 2

Install the bracket.



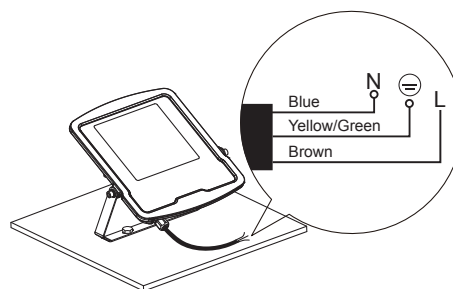
STEP 3

50W Max. M6: 15N.m
100W Max. M8: 30N.m
150W Max. M10: 40N.m
200W Max. M10: 40N.m



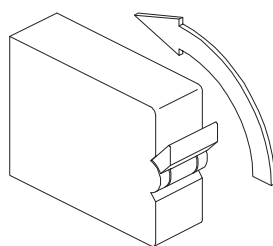
STEP 4

Install the bracket.



STEP 5

Turn the power back on and test.



ENVIRONMENTAL PROTECTION

Waste Electrical & Electronic Equipment Regulations (WEEE) requires that any of our products showing this marking must not be disposed of with other household or commercial waste. To prevent possible harm to the environment or human health from uncontrolled waste disposal, please separate any such product from other waste types and recycle it responsibly at your local facilities. Check with your Local Authority, Recycling Centre or retailer for recycling advice.

WARRANTY

This product is in warranty in the UK for a period of 5 year from the date of purchase. The guarantee is invalid in the case of improper use, installation, tampering, removal of the Q.C. date label, installation in an improper working environment or installation not according to the current edition of the IEE Wiring Regulations. Should this product fail during the warranty period, it will be replaced free of charge, subject to the aforementioned conditions and return of the faulty unit. We do not accept responsibility for any installation costs associated with the replacement of this product. Your statutory rights are not affected.