

Estrella Pro - Wall Mounted

INSTALLATION INSTRUCTIONS



PLEASE READ THESE INSTRUCTIONS CAREFULLY BEFORE INSTALLATION AND LEAVE A COPY WITH THE END USER FOR FUTURE REFERENCE.

SAFETY INFORMATION – We recommend that luminaires be installed by a fully qualified and competent electrician who understands building regulations and the current IEE wiring regulations. The light source contained in this luminaire shall only be replaced by the manufacturer or a qualified professional.

Before commencing any installation or maintenance work, ensure that the electricity is switched off at the mains.



IMPORTANT USER INFORMATION

Please install and use strictly in accordance with these instructions. Make sure that you have all the tools and equipment to complete the installation safely and correctly. Improper installation could cause harm to your property and/or person and void your warranty.

It is the installer's responsibility to consider fire & safety risk and take appropriate precautions.

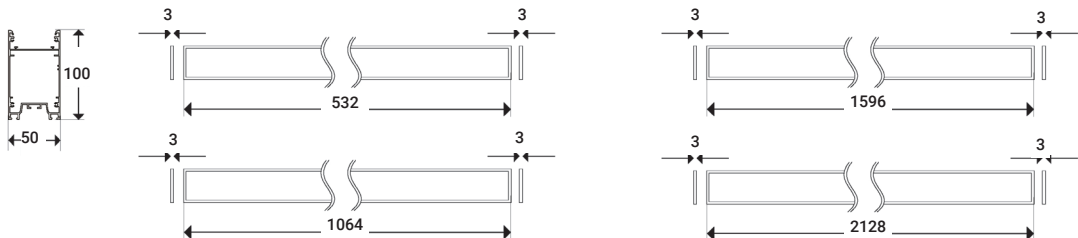
This product is a CLASS 2.

PRE INSTALLATION INSTRUCTIONS & GUIDELINES

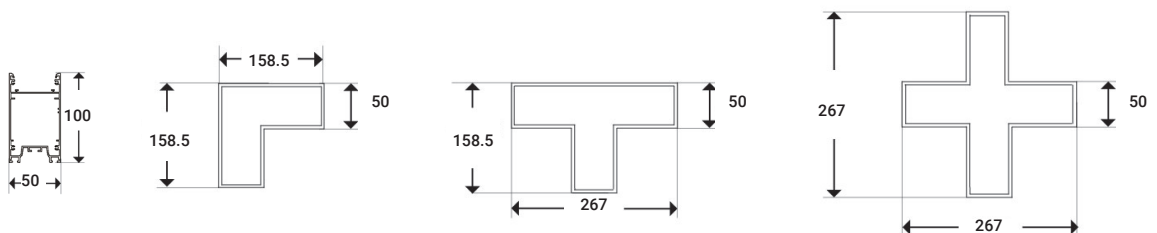
- Switch off the mains before commencing installation and remove the appropriate circuit fuse or lock off the Mains Circuit Board.
- Do not introduce any parts other than the ones provided to the inside of this fitting, as this is dangerous and would void your warranty.
- The luminaire must be installed on to a ceiling which should be firm enough to hold the weight of more than five times of the fitting itself.
- The luminaire must not be installed above hot objects such as ovens to avoid damage to the fitting.
- LED Chips can be damaged by gases, vapours, etc emitted by materials such as rubber, causing a severe reduction in light output.
- Ensure there is adequate space for ventilation around the fitting.
- Ensure that all electrical connections are tight with no loose strands.
- This product is designed for permanent connection to fixed wiring and must be fixed to a suitable circuit (protected with the appropriate Mains Circuit Board or fuse).
- This product is not suitable for use on highly flammable surfaces (e.g. polystyrene, textiles).
- Before making the fixing hole(s), check that there are no obstructions hidden beneath the mounting surface, such as pipes or cables.

DIMENSIONS

Linear pieces



Shape pieces

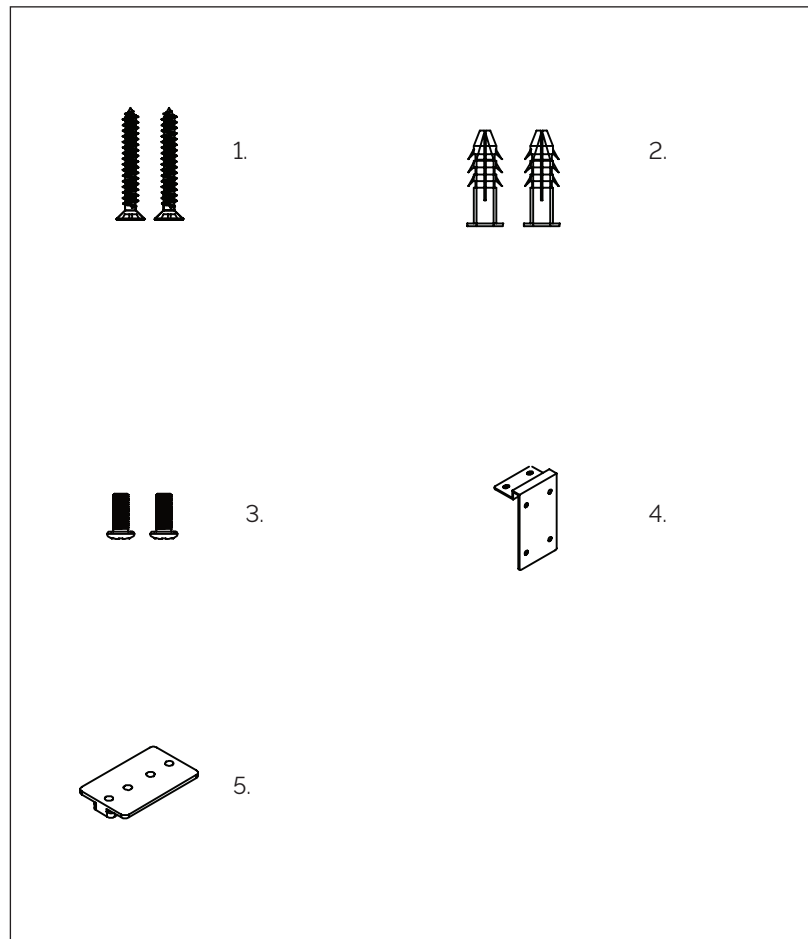
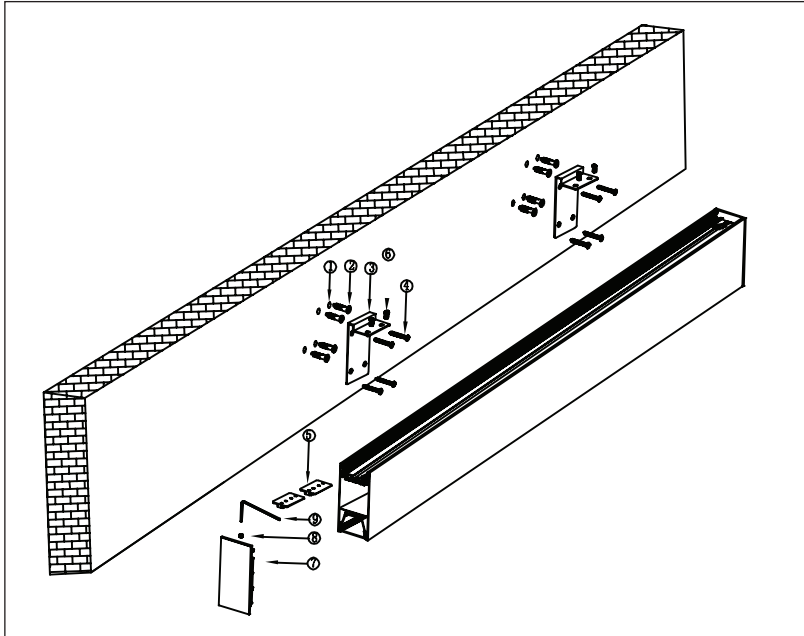


Estrella Pro

WALL MOUNTING GUIDE

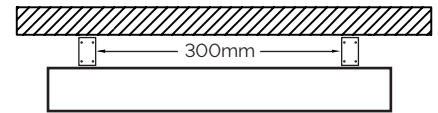
Before following these steps please ensure you have read and adhered to the guidelines and information overleaf. Remove the product from the box and inspect it for any damage. If the luminaire is in a good condition, proceed with the installation.

WALL MOUNTED POINTS

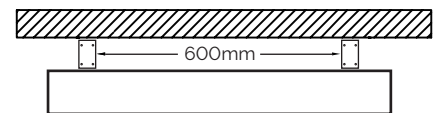


RECCOMENDED FIXING POINTS

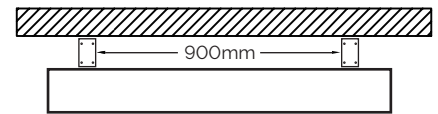
532mm Length 2 fixing points



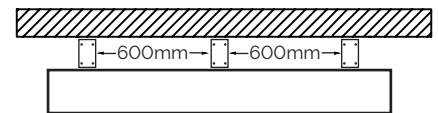
1064mm Length 2 fixing points



1596mm Length 2 fixing points



2128mm Length 3 fixing points



PART LIST

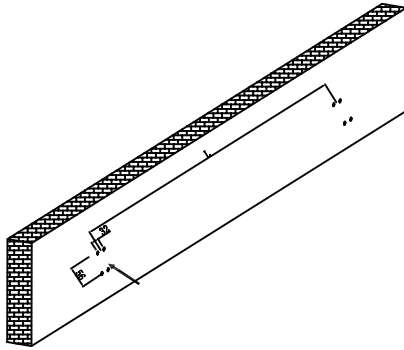
1. **Screw X8**
2. **Fixing Plugs X8**
3. **M4 Bolts X4**
4. **Wall Mounted Bracket X2**
5. **Luminaire Fixing Plate X2**

Estrella Pro

WALL MOUNTING STEPS

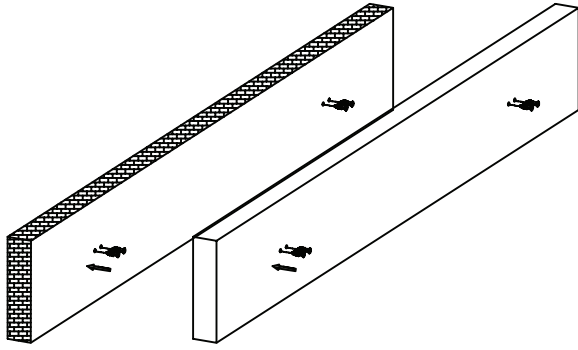
STEP 1

Drill four 6mm holes into the wall for each Wall Mounting Bracket. For distancing of the Wall Brackets see the table overleaf.



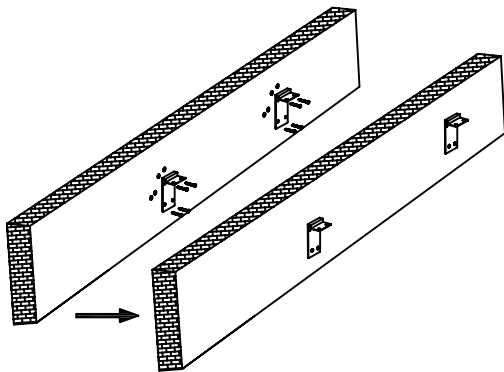
STEP 2

Insert the fixing plugs into the holes into the wall.



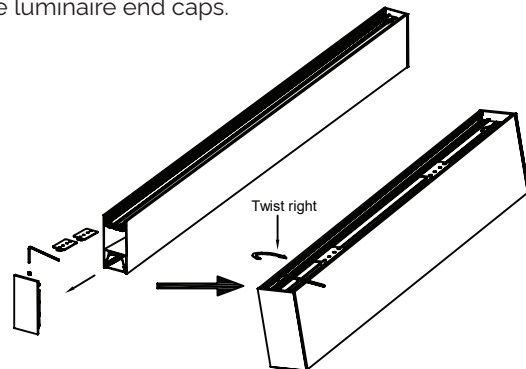
STEP 3

Insert the screws into the Wall Mounting Brackets and screw into the fixing plugs in the wall.



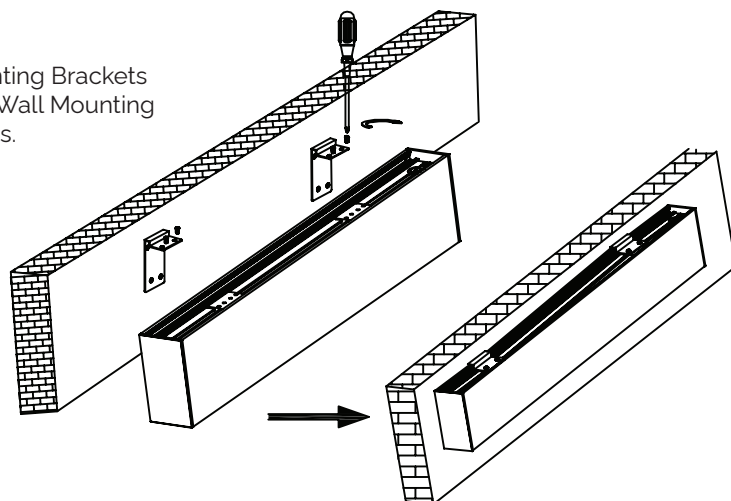
STEP 4

Remove the luminaire end cap using a hex key to unscrew the fixing. Next slide the Luminaire Fixing Plate into the channel in the luminaire and reinstall the luminaire end caps.



STEP 5

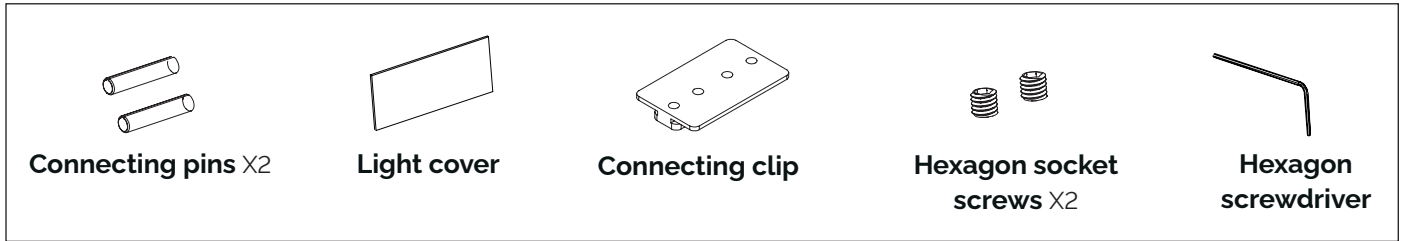
Hold the luminaire up to the Wall Mounting Brackets and secure into place by screwing the Wall Mounting Brackets into the Luminaire Fixing Plates.



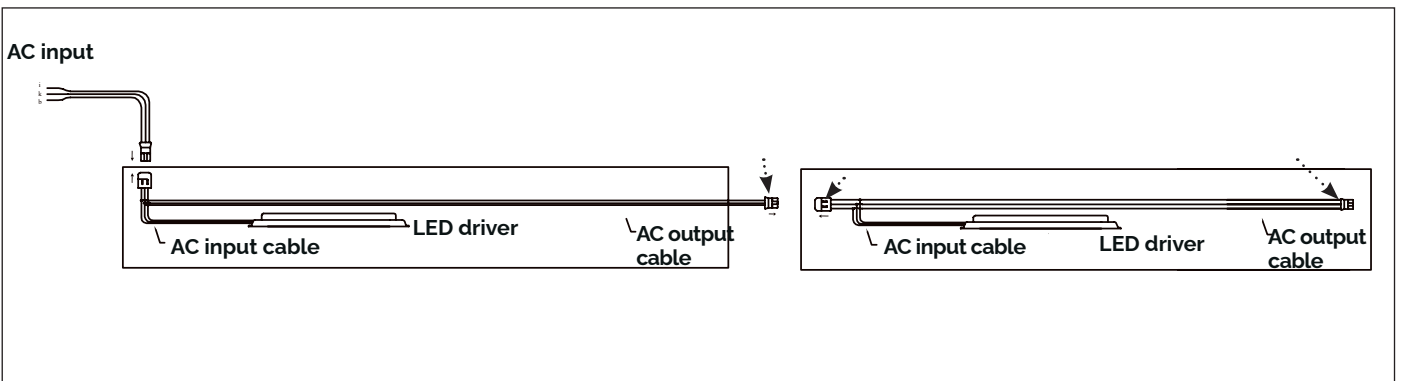
Estrella Pro

CONNECTION INSTRUCTIONS

PARTS CHECKLIST



DETAILS OF INNER WIRE CONNECTION



ENVIRONMENTAL PROTECTION

Waste Electrical & Electronic Equipment Regulations (WEEE) requires that any of our products showing this marking must not be disposed of with other household or commercial waste. To prevent possible harm to the environment or human health from uncontrolled waste disposal, please separate any such product from other waste types and recycle it responsibly at your local facilities. Check with your Local Authority, Recycling Centre or retailer for recycling advice.

WARRANTY

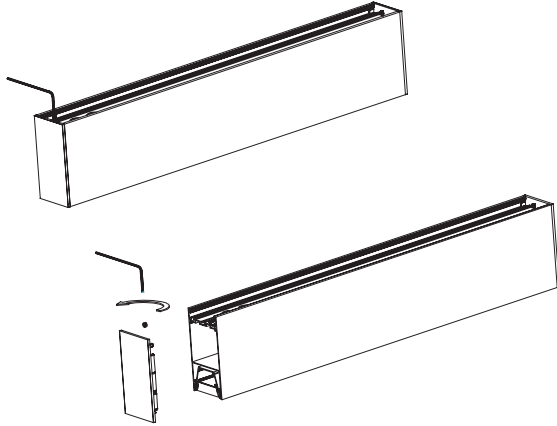
This product is in warranty in the UK for a period of 5 year from the date of purchase. The guarantee is invalid in the case of improper use, installation, tampering, removal of the Q.C. date label, installation in an improper working environment or installation not according to the current edition of the IEE Wiring Regulations. Should this product fail during the warranty period, it will be replaced free of charge, subject to the aforementioned conditions and return of the faulty unit. We do not accept responsibility for any installation costs associated with the replacement of this product. Your statutory rights are not affected.

Estrella Pro

CONNECTION STEPS

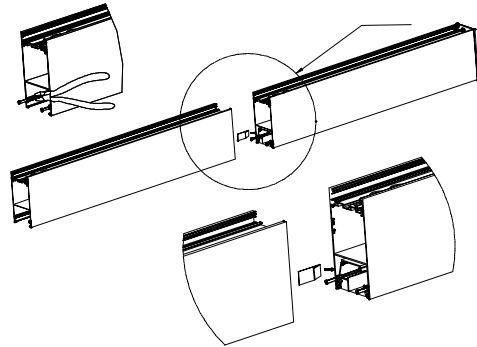
STEP 1

Open the cover using the hexagon screwdriver.



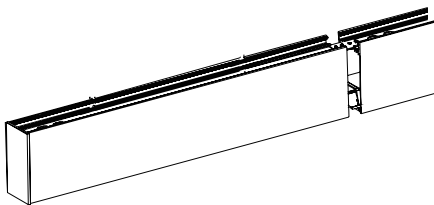
STEP 2

Insert the connecting pin and clamp the groove at 20mm away to fix the pin. Bend the light cover at the front 2-3cm and insert it into the space between inner and outer profile. Leave half outside for connecting.



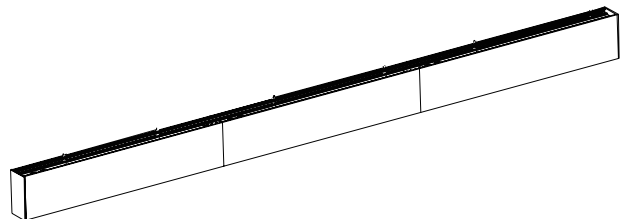
STEP 3

Connect the wiring as per previous page.



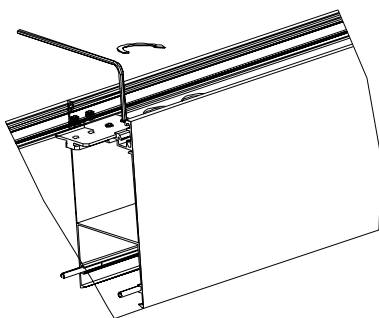
STEP 4

Insert the connecting clip into the aluminium slot.



STEP 5

Lock the screw with right knob of the hex wrench.



STEP 6

Connection complete.

