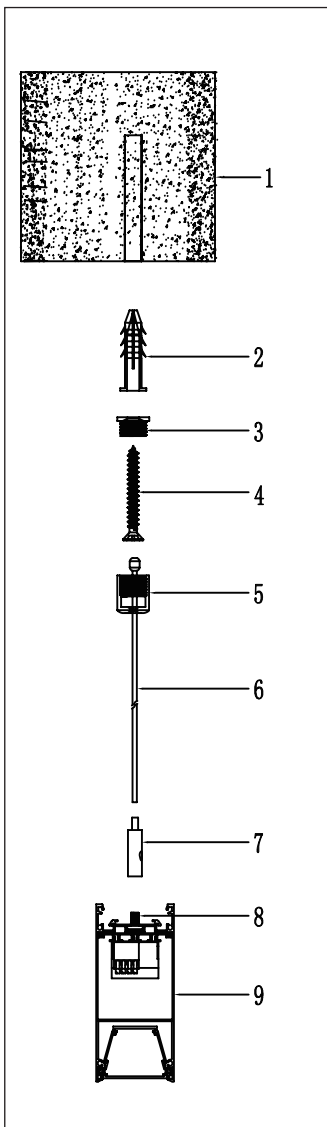
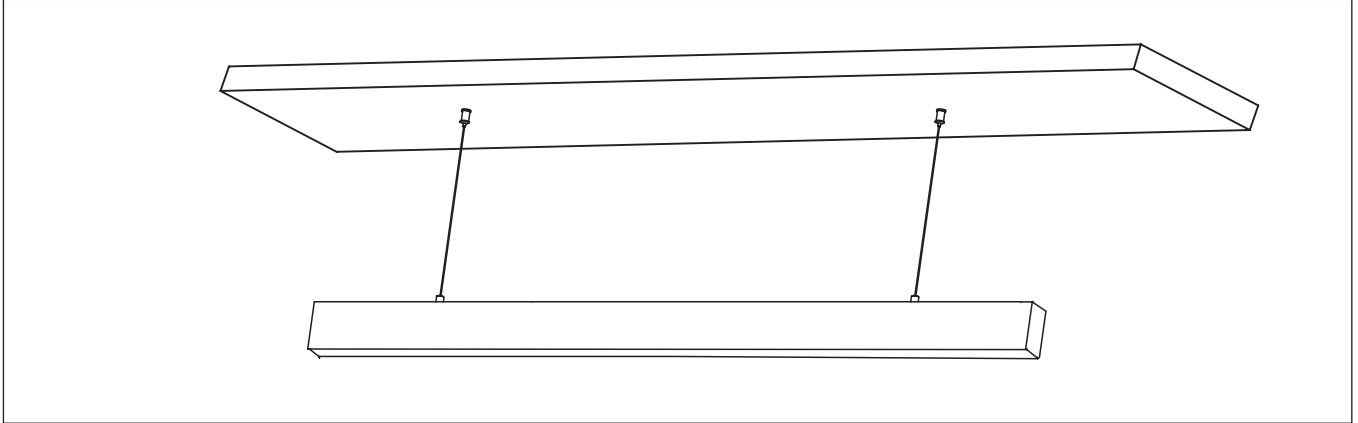


Estrella Pro

SUSPENSION MOUNTING GUIDE

Before following these steps please ensure you have read and adhered to the guidelines and information overleaf. Remove the product from the box and inspect it for any damage. If the luminaire is in a good condition, proceed with the installation.

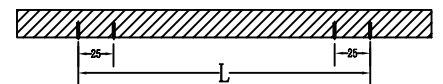
SUSPENSION POINTS



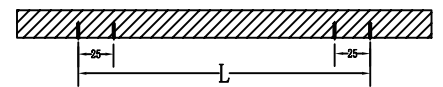
PART LIST

1. Ceiling
2. Fixing plug X2
3. Ceiling Suspension Cap X2
4. M4 Screw X2
5. Ceiling Suspension Fixture x2
6. Suspension Cable X2.
7. Cable Locking Fxture X2
8. M5 T Screw X2
9. Luminaire

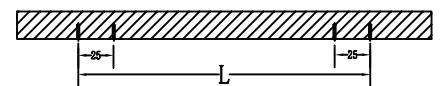
RECCOMENDED FIXING POINTS



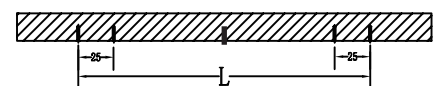
532mm Length 2 fixing points



1064mm Length 2 fixing points



1596mm Length 2 fixing points



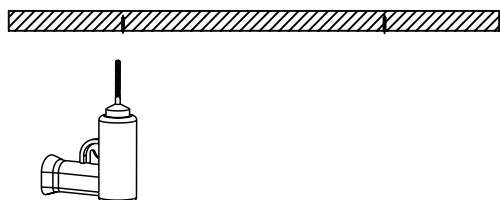
2128mm Length 2 fixing points

Estrella Pro

SUSPENSION MOUNTING STEPS

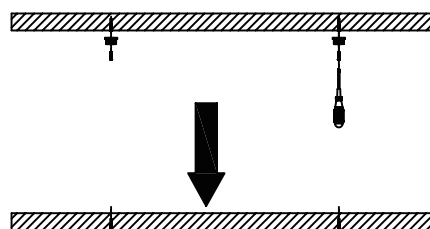
STEP 1

Ensure power is turned off. Drill two holes into the ceiling for the suspension points. Insert the supplied fixing plugs into the holes.



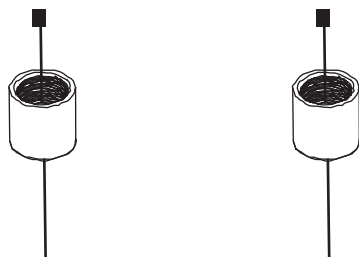
STEP 2

Insert M4 screw into the Ceiling Suspension Cap and screw into the raw plug that sits in the ceiling.



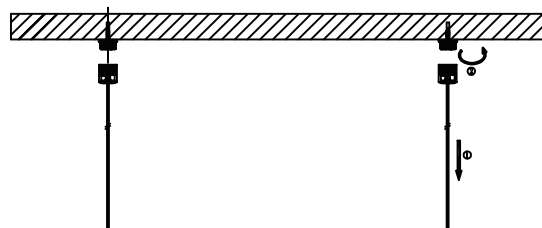
STEP 3

Slide the Suspension Cable through the threaded end of the Ceiling Suspension Fixture.



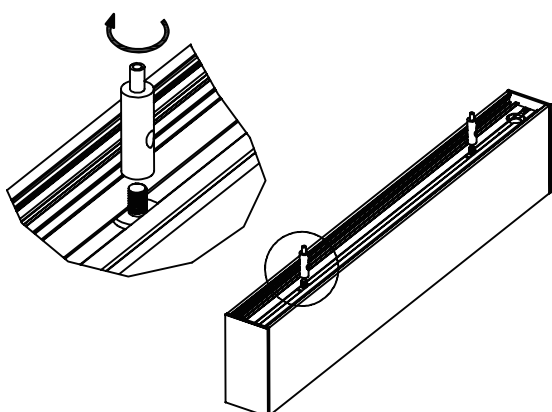
STEP 4

Twist the Ceiling Suspension Fixture into the Ceiling Suspension Cap



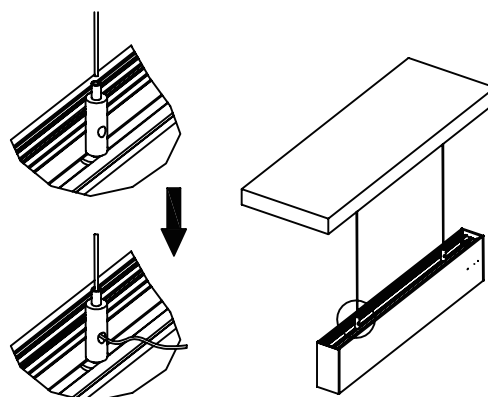
STEP 5

Twist the Cable Locking Fixture into the M5 T Screw in the luminaire.



STEP 6

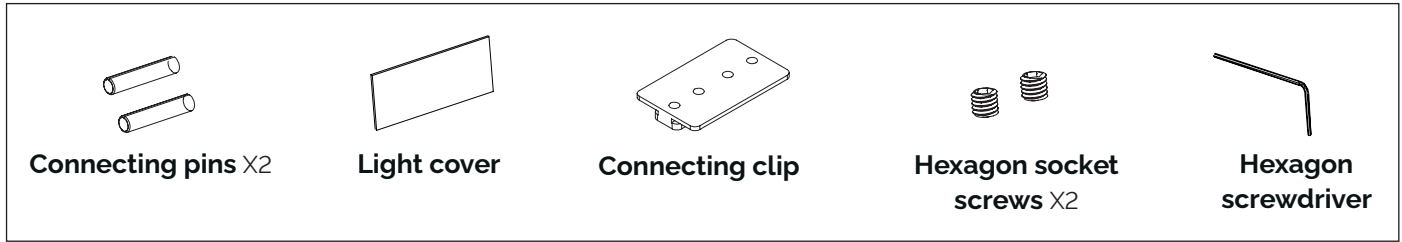
Thread the Suspension Cable into the Cable Locking Fixture until the Suspension Cable comes out of the hole. Adjust the cables to the desired length and then cut off the excess suspension cable.



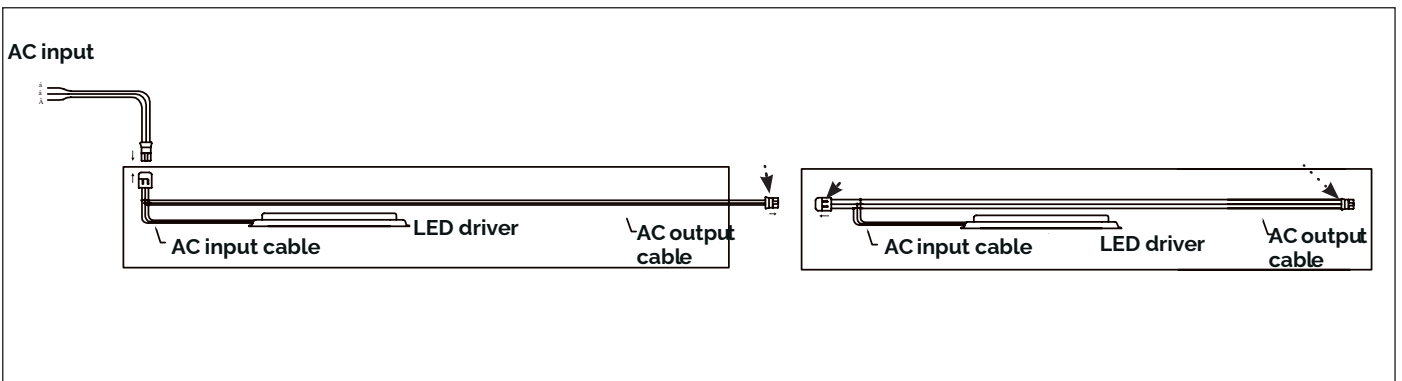
Estrella Pro

CONNECTION INSTRUCTIONS

PARTS CHECKLIST



DETAILS OF INNER WIRE CONNECTION



ENVIRONMENTAL PROTECTION

Waste Electrical & Electronic Equipment Regulations (WEEE) requires that any of our products showing this marking must not be disposed of with other household or commercial waste. To prevent possible harm to the environment or human health from uncontrolled waste disposal, please separate any such product from other waste types and recycle it responsibly at your local facilities. Check with your Local Authority, Recycling Centre or retailer for recycling advice.

WARRANTY

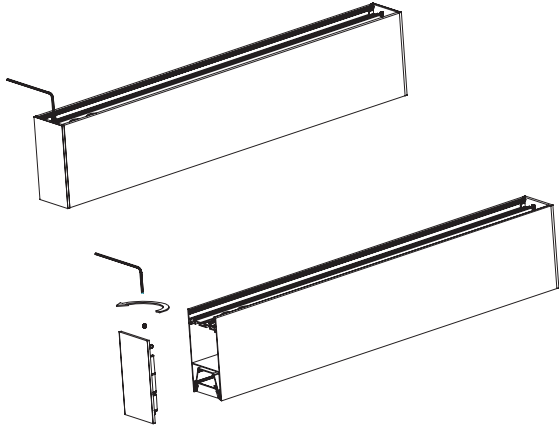
This product is in warranty in the UK for a period of 5 year from the date of purchase. The guarantee is invalid in the case of improper use, installation, tampering, removal of the Q.C. date label, installation in an improper working environment or installation not according to the current edition of the IEE Wiring Regulations. Should this product fail during the warranty period, it will be replaced free of charge, subject to the aforementioned conditions and return of the faulty unit. We do not accept responsibility for any installation costs associated with the replacement of this product. Your statutory rights are not affected.

Estrella Pro

CONNECTION STEPS

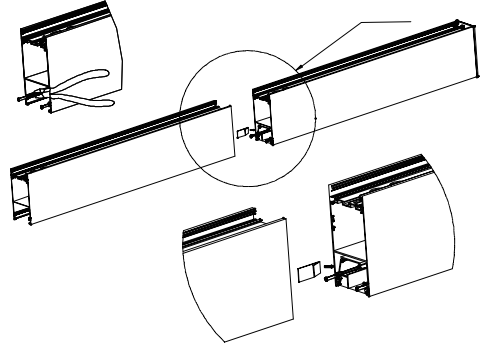
STEP 1

Open the cover using the hexagon screwdriver.



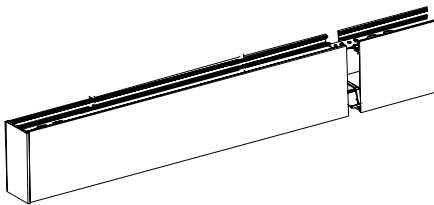
STEP 2

Insert the connecting pin and clamp the groove at 20mm away to fix the pin. Bend the light cover at the front 2-3cm and insert it into the space between inner and outer profile. Leave half outside for connecting.



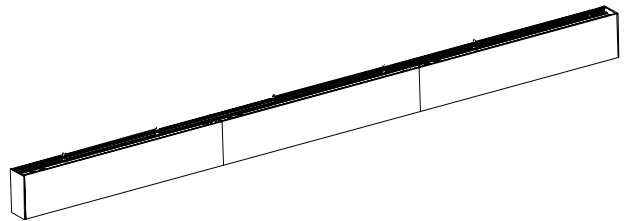
STEP 3

Connect the wiring as per previous page.



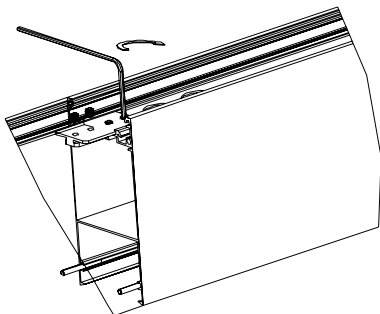
STEP 4

Insert the connecting clip into the aluminium slot.



STEP 5

Lock the screw with right knob of the hex wrench.



STEP 6

Connection complete.

