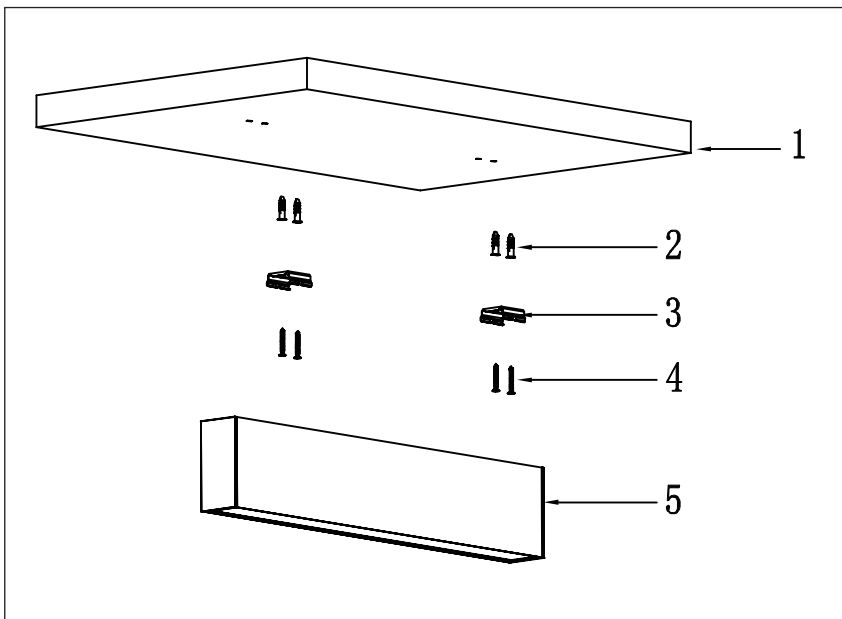
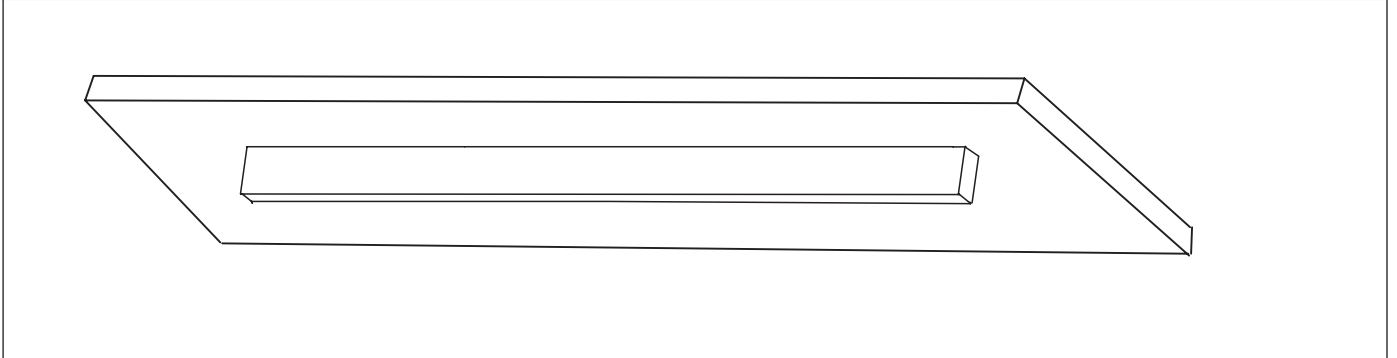


Estrella Pro

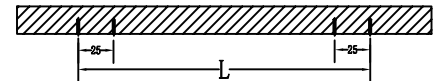
SURFACE MOUNTING GUIDE

Before following these steps please ensure you have read and adhered to the guidelines and information overleaf. Remove the product from the box and inspect it for any damage. If the luminaire is in a good condition, proceed with the installation.

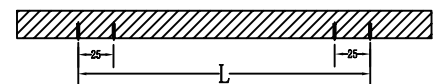
SURFACE POINTS



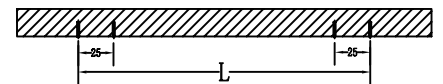
RECCOMENDED FIXING POINTS



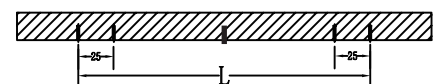
532mm Length 2 fixing points



1064mm Length 2 fixing points



1596mm Length 2 fixing points



2128mm Length 2 fixing points

PART LIST

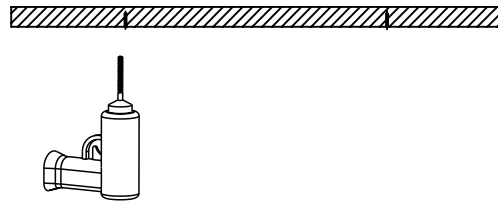
- | | |
|-----------------------------|----------------|
| 1. Ceiling | 4. M4 Screw X2 |
| 2. Fixing plug X2 | 5. Luminaire |
| 3. Surface Mounting Clip X2 | |

Estrella Pro

SURFACE MOUNTING STEPS

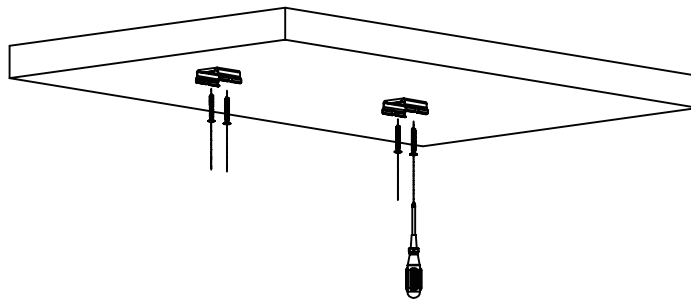
STEP 1

Ensure power is turned off. Drill two holes into the ceiling for the Surface points. Insert the supplied fixing plugs into the holes.



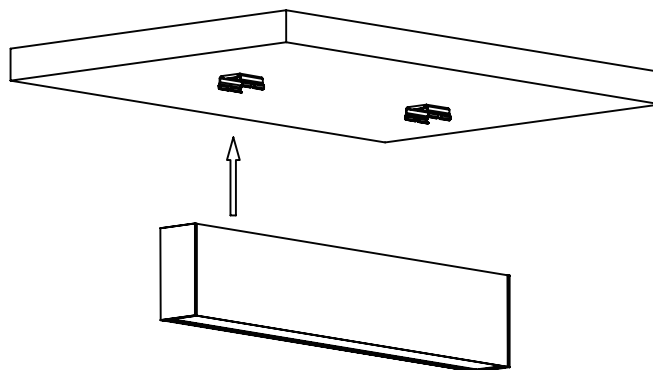
STEP 2

Insert the M4 Screws into the Surface Mounting Clips and screw into the fixing plugs in the ceiling.



STEP 3

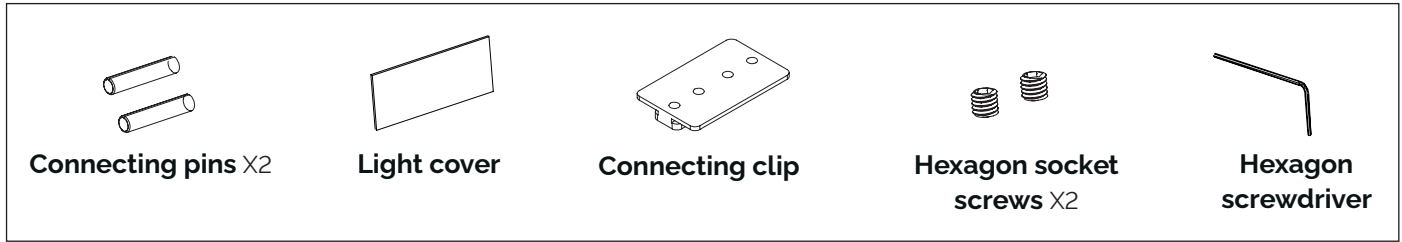
Push the luminaire up onto the Surface Mounting Clips and ensure it is securely attached onto them.



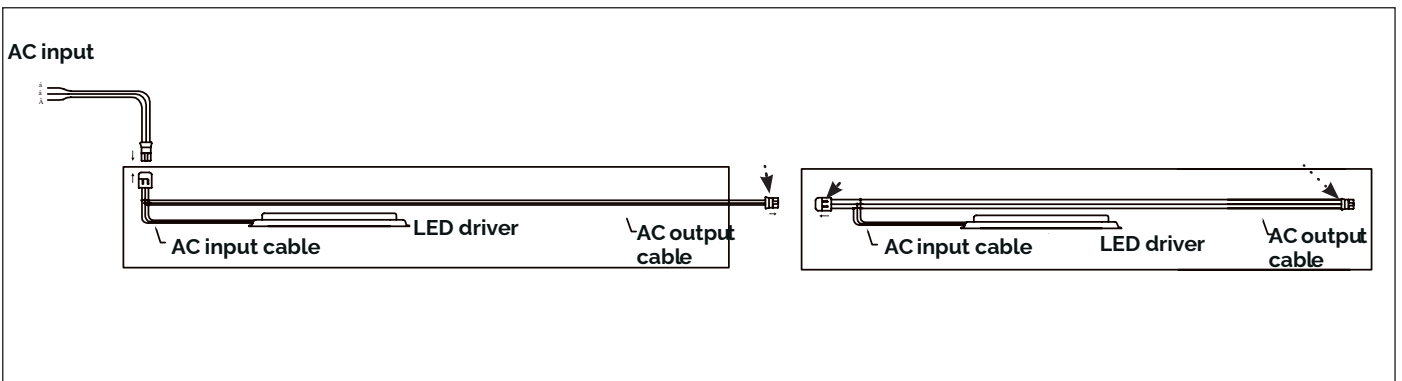
Estrella Pro

CONNECTION INSTRUCTIONS

PARTS CHECKLIST



DETAILS OF INNER WIRE CONNECTION



ENVIRONMENTAL PROTECTION

Waste Electrical & Electronic Equipment Regulations (WEEE) requires that any of our products showing this marking must not be disposed of with other household or commercial waste. To prevent possible harm to the environment or human health from uncontrolled waste disposal, please separate any such product from other waste types and recycle it responsibly at your local facilities. Check with your Local Authority, Recycling Centre or retailer for recycling advice.

WARRANTY

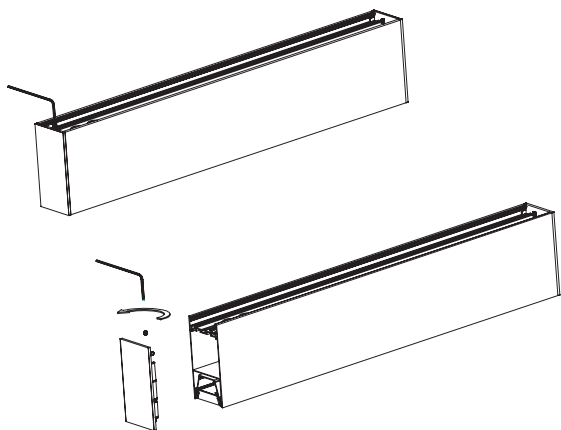
This product is in warranty in the UK for a period of 5 year from the date of purchase. The guarantee is invalid in the case of improper use, installation, tampering, removal of the Q.C. date label, installation in an improper working environment or installation not according to the current edition of the IEE Wiring Regulations. Should this product fail during the warranty period, it will be replaced free of charge, subject to the aforementioned conditions and return of the faulty unit. We do not accept responsibility for any installation costs associated with the replacement of this product. Your statutory rights are not affected.

Estrella Pro

CONNECTION STEPS

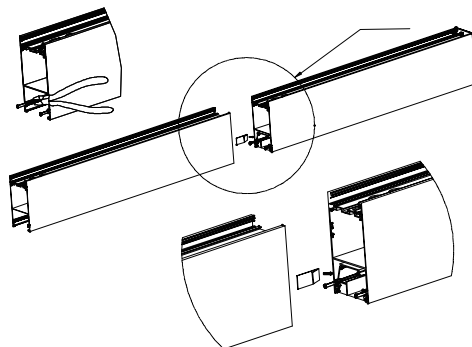
STEP 1

Open the cover using the hexagon screwdriver.



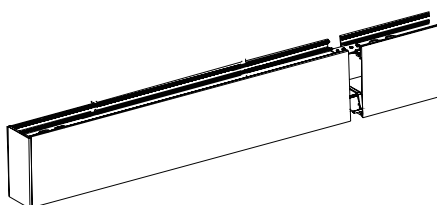
STEP 2

Insert the connecting pin and clamp the groove at 20mm away to fix the pin. Bend the light cover at the front 2-3cm and insert it into the space between inner and outer profile. Leave half outside for connecting.



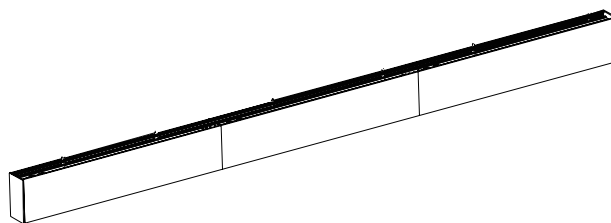
STEP 3

Connect the wiring as per previous page.



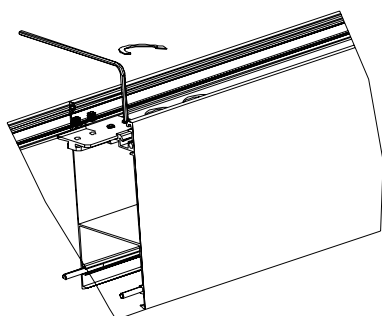
STEP 4

Insert the connecting clip into the aluminium slot.



STEP 5

Lock the screw with right knob of the hex wrench.



STEP 6

Connection complete.

