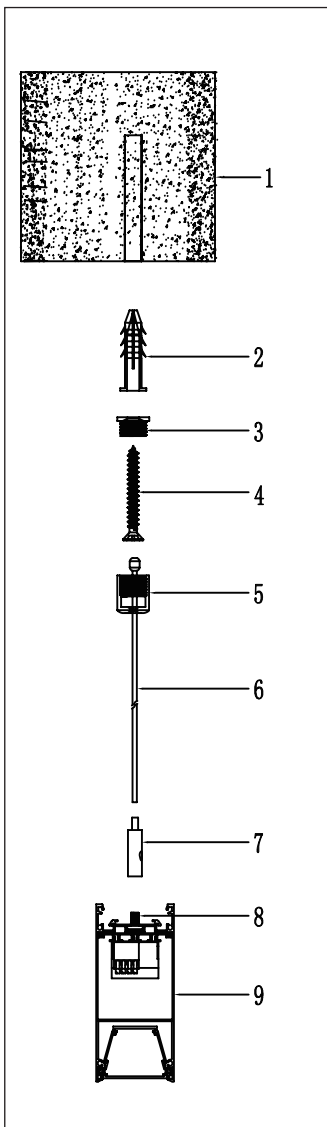
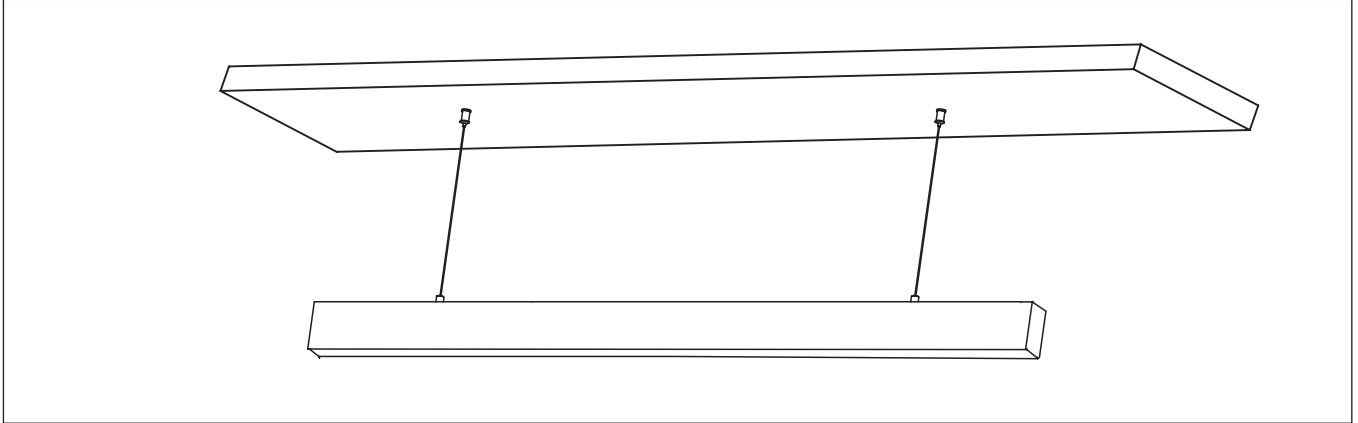


# Estrella Pro

## SUSPENSION MOUNTING GUIDE

Before following these steps please ensure you have read and adhered to the guidelines and information overleaf. Remove the product from the box and inspect it for any damage. If the luminaire is in a good condition, proceed with the installation.

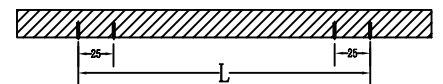
### SUSPENSION POINTS



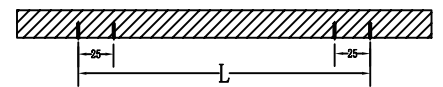
### PART LIST

1. Ceiling
2. Fixing plug X2
3. Ceiling Suspension Cap X2
4. M4 Screw X2
5. Ceiling Suspension Fixture x2
6. Suspension Cable X2.
7. Cable Locking Fixture X2
8. M5 T Screw X2
9. Luminaire

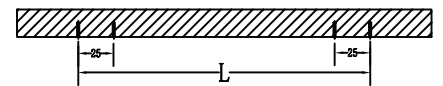
### RECOMMENDED FIXING POINTS



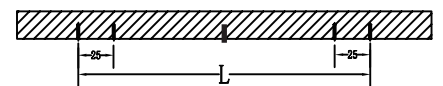
**532mm Length** 2 fixing points



**1064mm Length** 2 fixing points



**1596mm Length** 2 fixing points



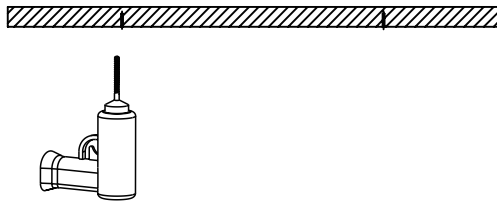
**2128mm Length** 3 fixing points

# Estrella Pro

## SUSPENSION MOUNTING STEPS

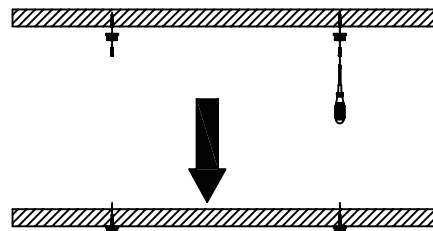
### STEP 1

Ensure power is turned off. Drill two holes into the ceiling for the suspension points. Insert the supplied fixing plugs into the holes.



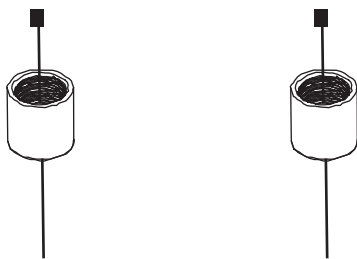
### STEP 2

Insert M4 screw into the Ceiling Suspension Cap and screw into the raw plug that sits in the ceiling.



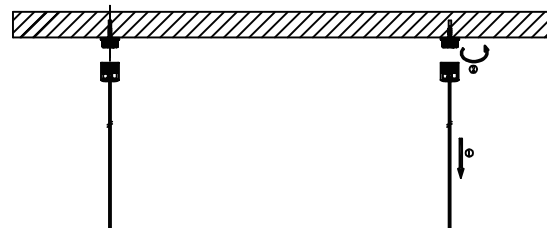
### STEP 3

Slide the Suspension Cable through the threaded end of the Ceiling Suspension Fixture.



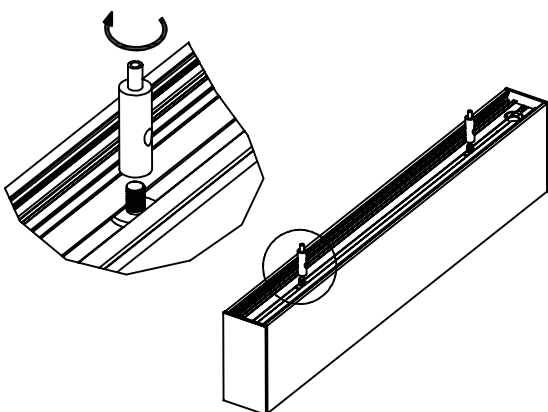
### STEP 4

Twist the Ceiling Suspension Fixture into the Ceiling Suspension Cap.



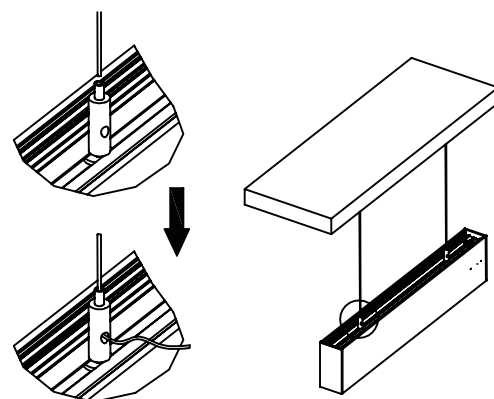
### STEP 5

Twist the Cable Locking Fixture into the M5 T Screw in the luminaire.



### STEP 6

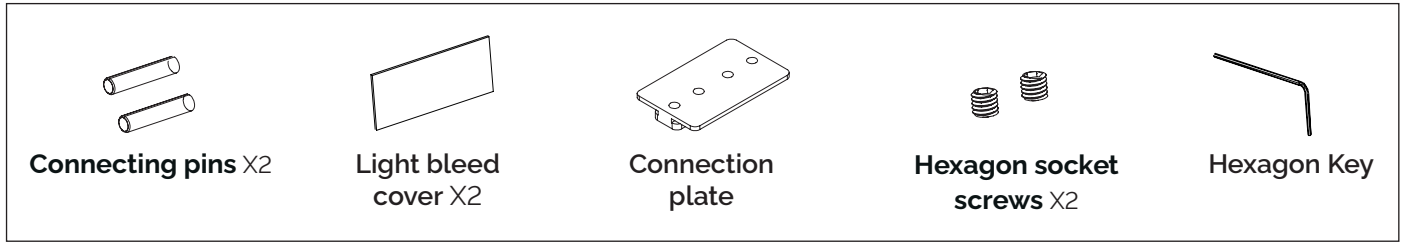
Thread the Suspension Cable into the Cable Locking Fixture until the Suspension Cable comes out of the hole. Adjust the cables to the desired length and then cut off the excess suspension cable.



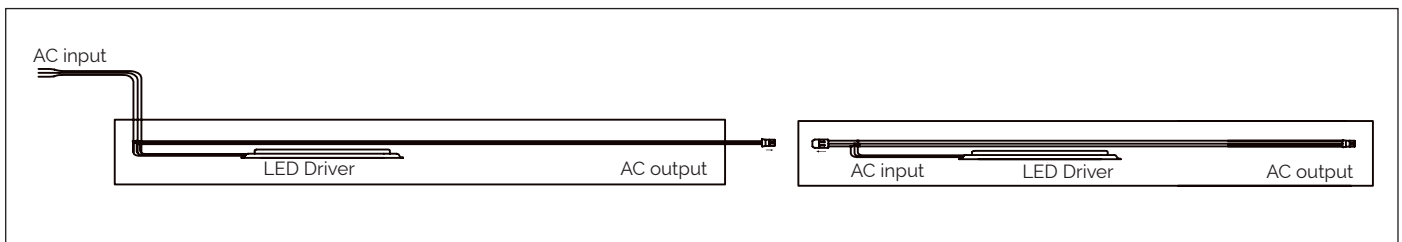
# Estrella Pro

## CONNECTION INSTRUCTIONS

### PARTS CHECKLIST



### DETAILS OF INNER WIRE CONNECTION



#### ENVIRONMENTAL PROTECTION

Waste Electrical & Electronic Equipment Regulations (WEEE) requires that any of our products showing this marking must not be disposed of with other household or commercial waste. To prevent possible harm to the environment or human health from uncontrolled waste disposal, please separate any such product from other waste types and recycle it responsibly at your local facilities. Check with your Local Authority, Recycling Centre or retailer for recycling advice.

#### WARRANTY

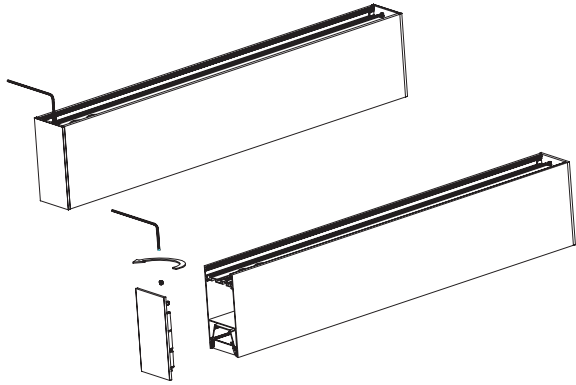
This product is in warranty in the UK for a period of 5 year from the date of purchase. The guarantee is invalid in the case of improper use, installation, tampering, removal of the Q.C. date label, installation in an improper working environment or installation not according to the current edition of the IEE Wiring Regulations. Should this product fail during the warranty period, it will be replaced free of charge, subject to the aforementioned conditions and return of the faulty unit. We do not accept responsibility for any installation costs associated with the replacement of this product. Your statutory rights are not affected.

# Estrella Pro

## CONNECTION STEPS

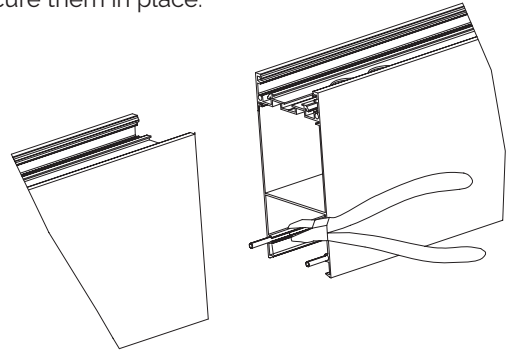
### STEP 1

Remove the end cap by using a hexagon key to remove the hexagon screw from the top of the luminaire. The end cap can then be removed.



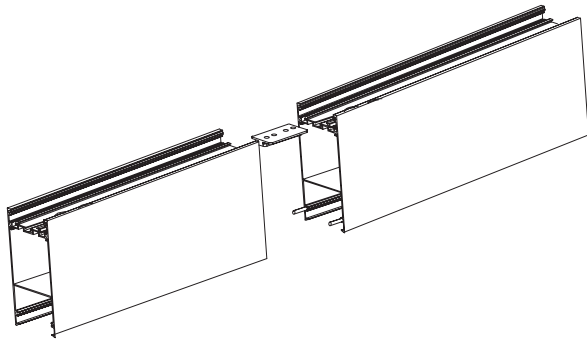
### STEP 2

Insert the two connector pins into the channels at the end of the luminaire taking care to only push the pins half way in. Once half of the pin is inserted, take a pair of pliers and clamp the channel around the pins to secure them in place.



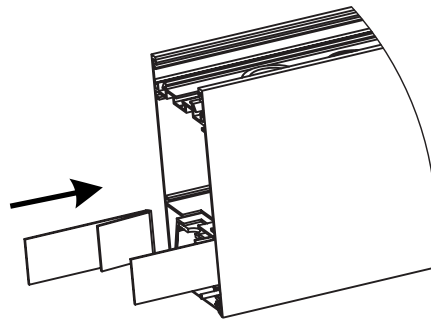
### STEP 3

Insert the connection plate into the channel at the back of the luminaire. Then secure in place with two hexagon socket screws.



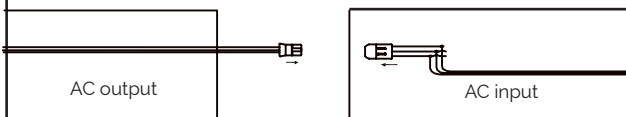
### STEP 4

Locate the light bleed cover from the connection pack and fold it in on itself at 2-3cm from the edge. Next insert the light bleed cover in the space between the light engine tray and the housing.



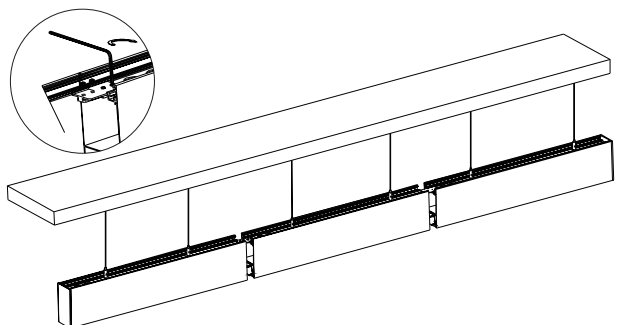
### STEP 4

Secure an electrical connection between the two luminaires by connecting the AC through wires.



### STEP 5

Push the luminaires together ensuring the connector pins, connection plate and light bleed cover secure into the adjacent luminaire. Then secure the connection by screwing in the hexagon socket screws into the connection plate.



# Estrella Pro OPAL DIFFUSER

## STEP 1

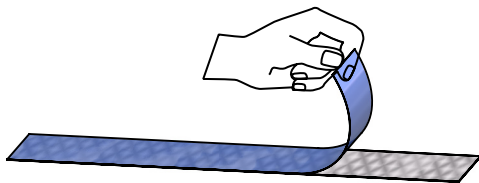
Unroll the opal diffuser and click it into the front channel in the luminaire. If this need to be cut to length this can be done by scoring a snapping with a utility knife.

## Continuous UGR Diffuser

If you have the UGR Estrella Pro and are installing in a continuous run then follow the below additional steps

### STEP 1

Remove the dust protection film from the glare-free diffuser strips.



### STEP 2

Insert the glare free strips into the channel in the diffuser. If these need to be cut to length this can be done with a pair of scissors or utility knife.

