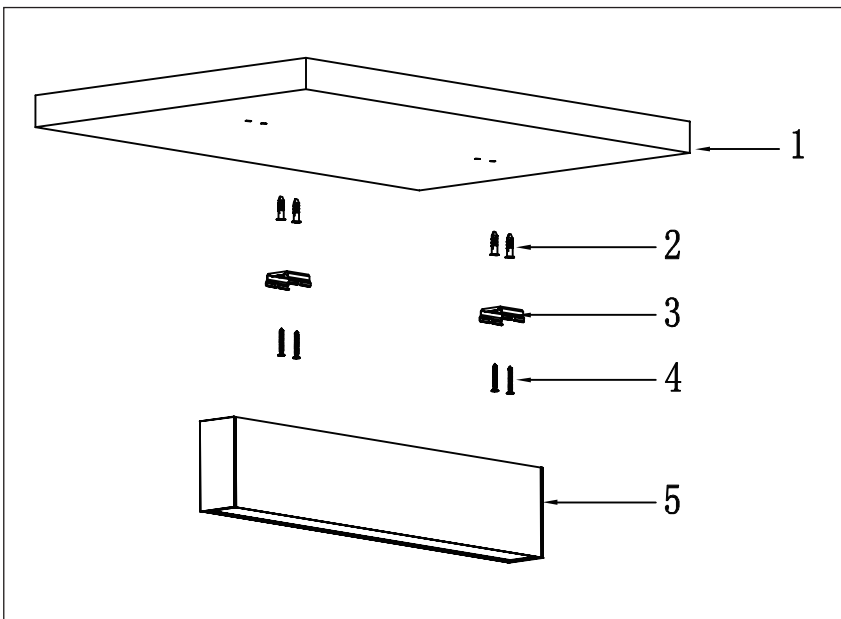
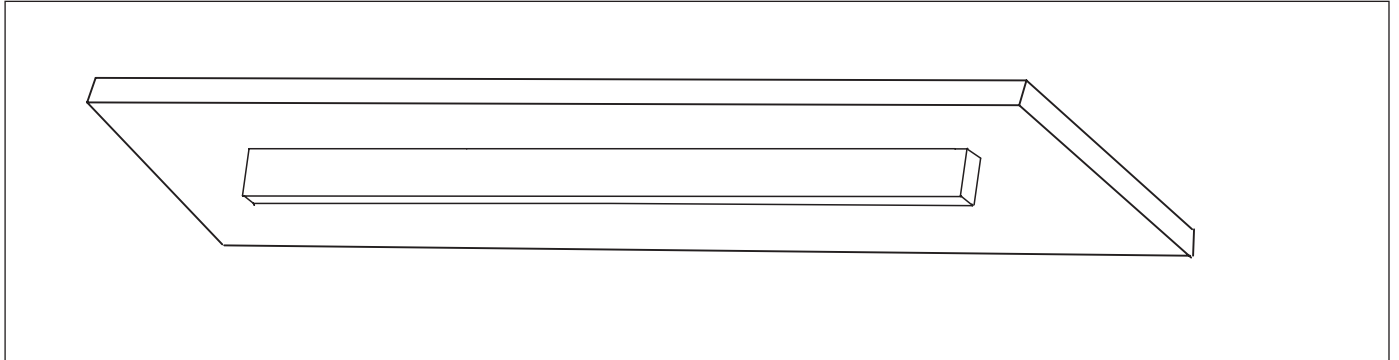


Estrella Pro

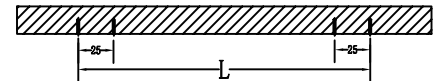
SURFACE MOUNTING GUIDE

Before following these steps please ensure you have read and adhered to the guidelines and information overleaf. Remove the product from the box and inspect it for any damage. If the luminaire is in a good condition, proceed with the installation.

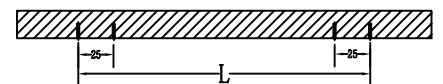
SURFACE POINTS



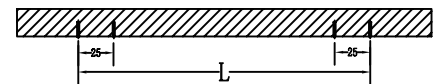
RECCOMENDED FIXING POINTS



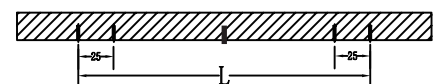
532mm Length 2 fixing points



1064mm Length 2 fixing points



1596mm Length 2 fixing points



2128mm Length 3 fixing points

PART LIST

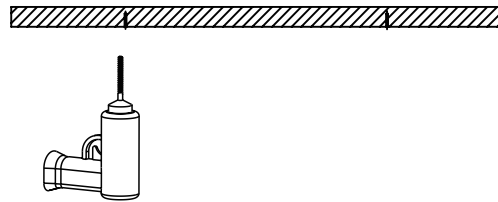
- | | |
|-----------------------------|----------------|
| 1. Ceiling | 4. M4 Screw X2 |
| 2. Fixing plug X2 | 5. Luminaire |
| 3. Surface Mounting Clip X2 | |

Estrella Pro

SURFACE MOUNTING STEPS

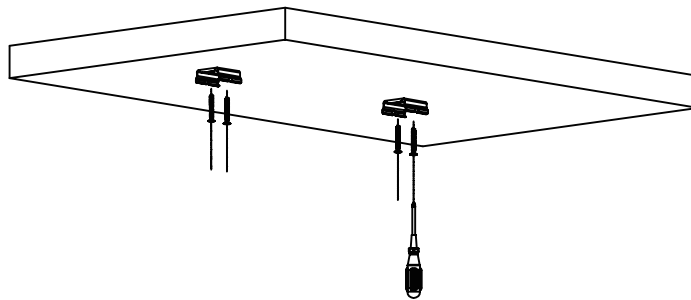
STEP 1

Ensure power is turned off. Drill two holes into the ceiling for the Surface points. Insert the supplied fixing plugs into the holes.



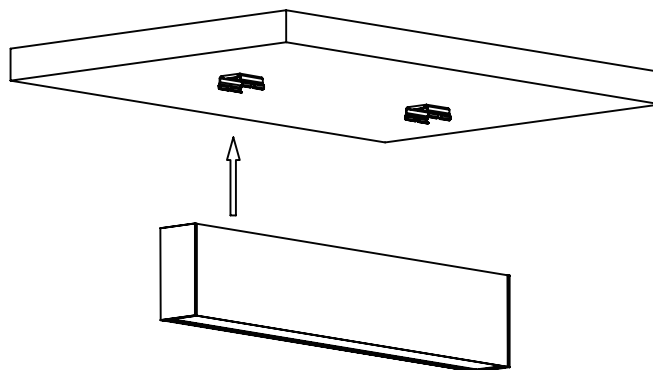
STEP 2

Insert the M4 Screws into the Surface Mounting Clips and screw into the fixing plugs in the ceiling.



STEP 3

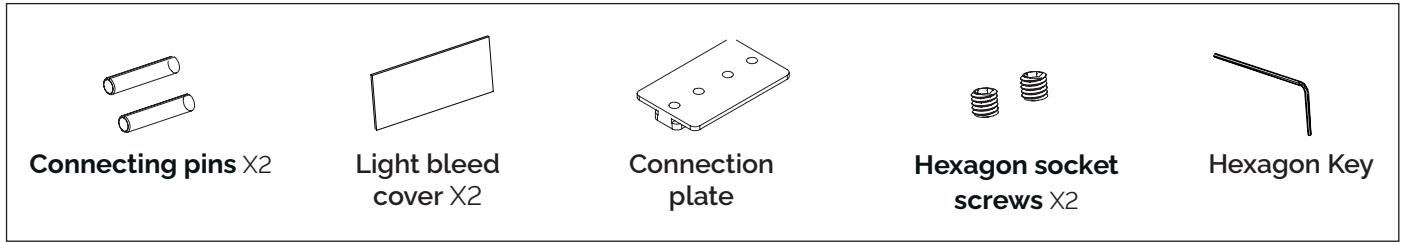
Push the luminaire up onto the Surface Mounting Clips and ensure it is securely attached onto them.



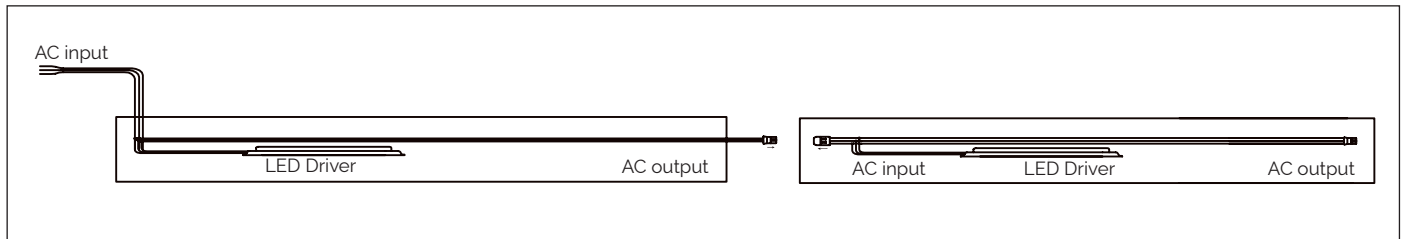
Estrella Pro

CONNECTION INSTRUCTIONS

PARTS CHECKLIST



DETAILS OF INNER WIRE CONNECTION



ENVIRONMENTAL PROTECTION

Waste Electrical & Electronic Equipment Regulations (WEEE) requires that any of our products showing this marking must not be disposed of with other household or commercial waste. To prevent possible harm to the environment or human health from uncontrolled waste disposal, please separate any such product from other waste types and recycle it responsibly at your local facilities. Check with your Local Authority, Recycling Centre or retailer for recycling advice.

WARRANTY

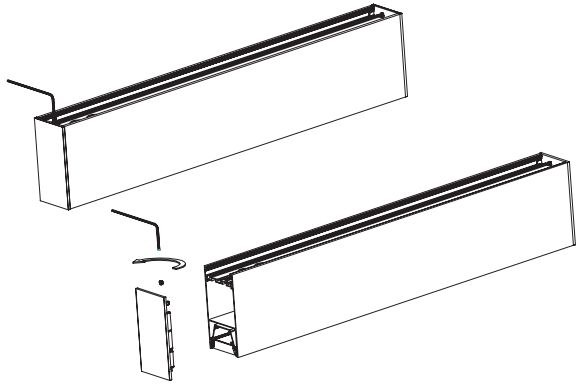
This product is in warranty in the UK for a period of 5 year from the date of purchase. The guarantee is invalid in the case of improper use, installation, tampering, removal of the Q.C. date label, installation in an improper working environment or installation not according to the current edition of the IEE Wiring Regulations. Should this product fail during the warranty period, it will be replaced free of charge, subject to the aforementioned conditions and return of the faulty unit. We do not accept responsibility for any installation costs associated with the replacement of this product. Your statutory rights are not affected.

Estrella Pro

CONNECTION STEPS

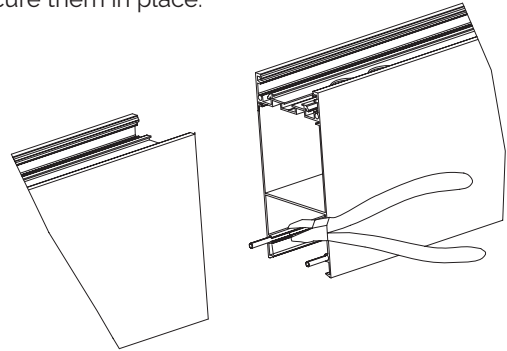
STEP 1

Remove the end cap by using a hexagon key to remove the hexagon screw from the top of the luminaire. The end cap can then be removed.



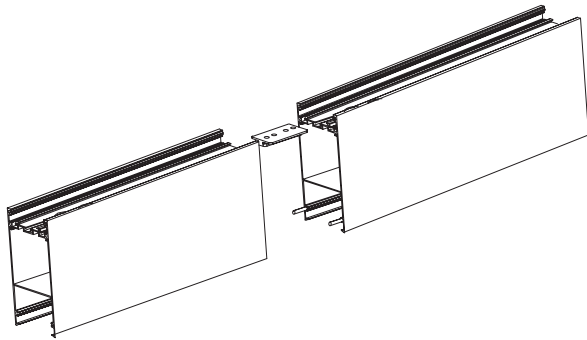
STEP 2

Insert the two connector pins into the channels at the end of the luminaire taking care to only push the pins half way in. Once half of the pin is inserted, take a pair of pliers and clamp the channel around the pins to secure them in place.



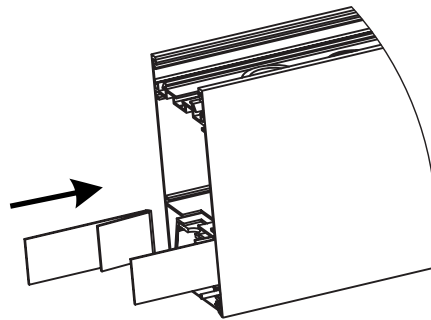
STEP 3

Insert the connection plate into the channel at the back of the luminaire. Then secure in place with two hexagon socket screws.



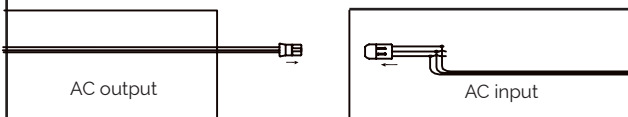
STEP 4

Locate the light bleed cover from the connection pack and fold it in on itself at 2-3cm from the edge. Next insert the light bleed cover in the space between the light engine tray and the housing.



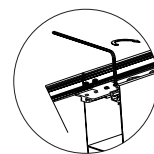
STEP 4

Secure an electrical connection between the two luminaires by connecting the AC through wires.



STEP 5

Push the luminaires together ensuring the connector pins, connection plate and light bleed cover secure into the adjacent luminaire. Then secure the connection by screwing in the hexagon socket screws into the connection plate.



Estrella Pro OPAL DIFFUSER

STEP 1

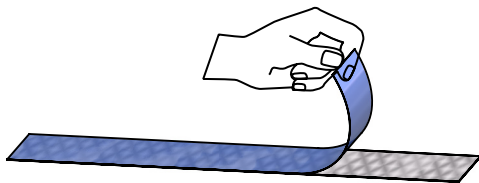
Unroll the opal diffuser and click it into the front channel in the luminaire. If this need to be cut to length this can be done by scoring a snapping with a utility knife.

Continuous UGR Diffuser

If you have the UGR Estrella Pro and are installing in a continuous run then follow the below additional steps

STEP 1

Remove the dust protection film from the glare-free diffuser strips.



STEP 2

Insert the glare free strips into the channel in the diffuser. If these need to be cut to length this can be done with a pair of scissors or utility knife.

