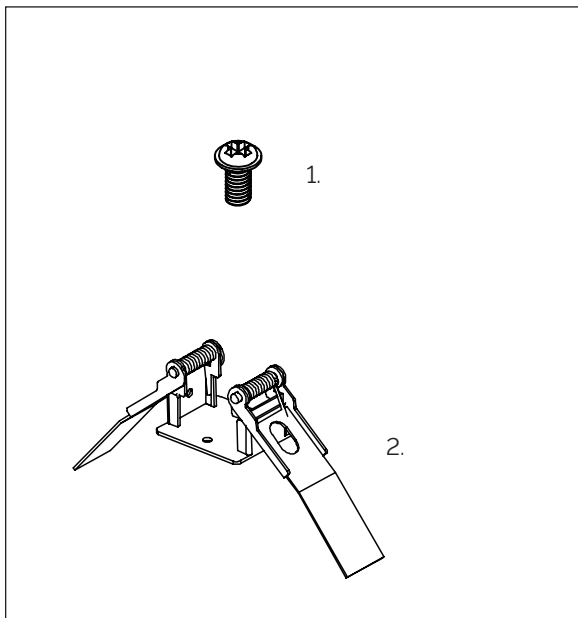
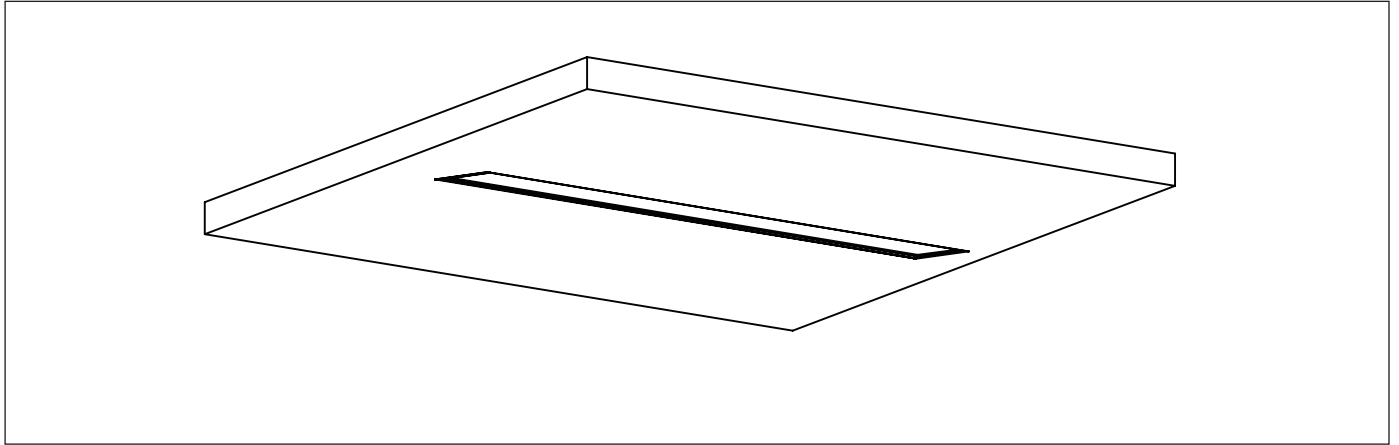


Estrella Pro

RECESSED MOUNTING GUIDE

Before following these steps please ensure you have read and adhered to the guidelines and information overleaf. Remove the product from the box and inspect it for any damage. If the luminaire is in a good condition, proceed with the installation.

RECESSED POINTS

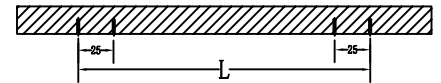


PART LIST

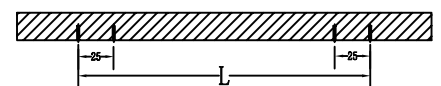
1. Screw X4

2. Recessed Clips X2

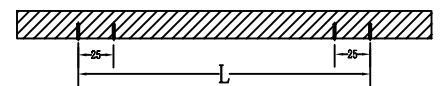
RECCOMENDED FIXING POINTS



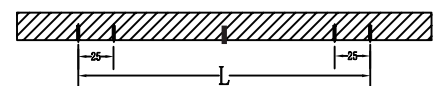
532mm Length 2 fixing points



1064mm Length 2 fixing points



1596mm Length 2 fixing points



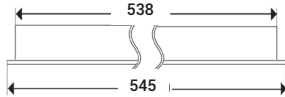
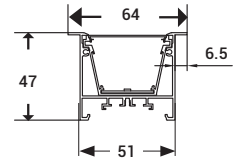
2128mm Length 3 fixing points

Estrella Pro

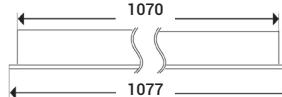
RECESSED CUT OUT SIZES

STAND ALONE CUT OUT SIZES

Dimensions and sizes below include end caps.

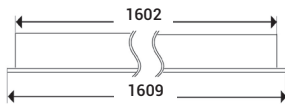


538x55

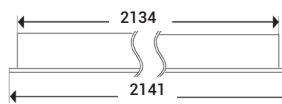


1070x55

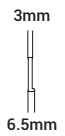
End Cap



1602x55



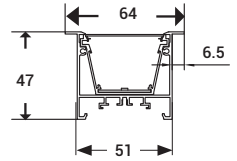
2134x55



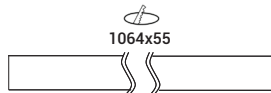
CONTINUOUS (CONNECTED) CUT OUT SIZES

Dimensions and sizes below **do not** include end caps.

Add together the desired lengths and then add 3mm for each end cap required.



532x55



1064x55

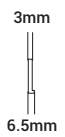
End Cap



1596x55

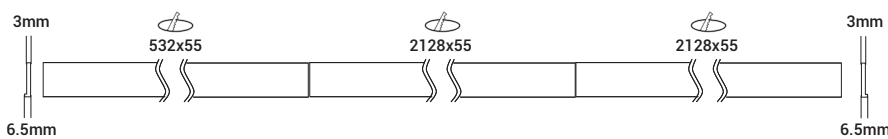


2128x55



6.5mm

Example: For two 2128mm and a 532mm luminaire. Cut out size is 55 x 4794mm (532+2128+2128+3+3)

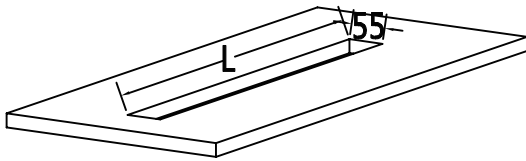


Estrella Pro

RECESSED MOUNTING STEPS

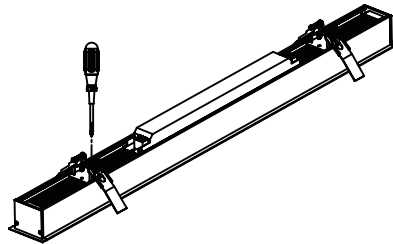
STEP 1

Cut a hole 55mm wide and to the desired length into the ceiling.



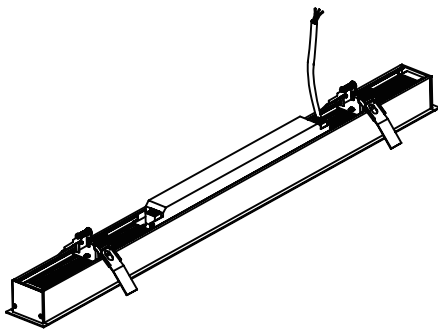
STEP 2

Screw the Recessed Clips into the luminaire.



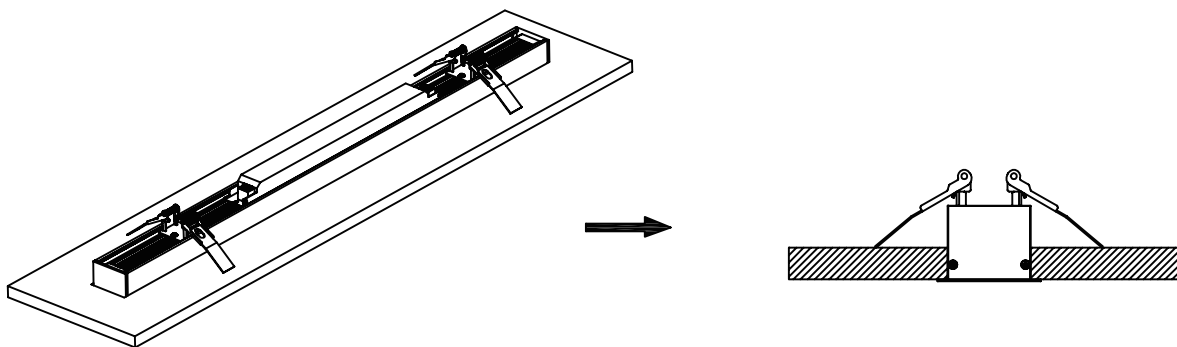
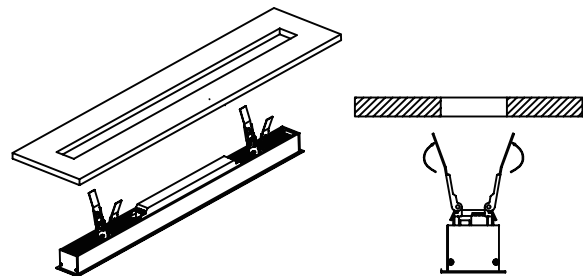
STEP 3

Connect the luminaire flex to mains power.



STEP 4

Pull the spring brackets up and insert the luminaire into the cut out.



Estrella Pro OPAL DIFFUSER

STEP 1

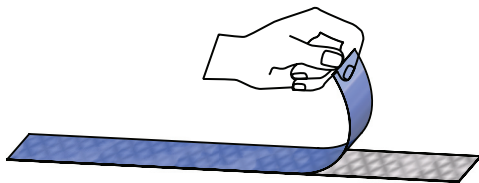
Unroll the opal diffuser and click it into the front channel in the luminaire. If this need to be cut to length this can be done by scoring a snapping with a utility knife.

Continuous UGR Diffuser

If you have the UGR Estrella Pro and are installing in a continuous run then follow the below additional steps

STEP 1

Remove the dust protection film from the glare-free diffuser strips.



STEP 2

Insert the glare free strips into the channel in the diffuser. If these need to be cut to length this can be done with a pair of scissors or utility knife.

