

# Estrella Pro Recessed Product Datasheet

Continuous or stand alone linear LED lighting system with wallwash diffuser

## Product Data

Warranty	5 years
Applications	Interior
Certification(s)	UKCA, CE, RoHS

## Physical Data

Colour Finish	White (RAL9016)   Custom
Luminaire Fixing	Recessed
Length (mm)	532   1064   1596   2128
Construction Material	Aluminium
Diffuser Type	TP(a) rated (Wallwash)

## Electrical Data

Wattage	532mm: 7W   14W   26W 1064mm: 14W   28W   52W 1596mm: 21W   42W   78W 2128mm: 28W   56W
Power Factor	>0.90
Voltage Range	AC220-240V
Inrush Current	60A
Protection Class IEC	Class II

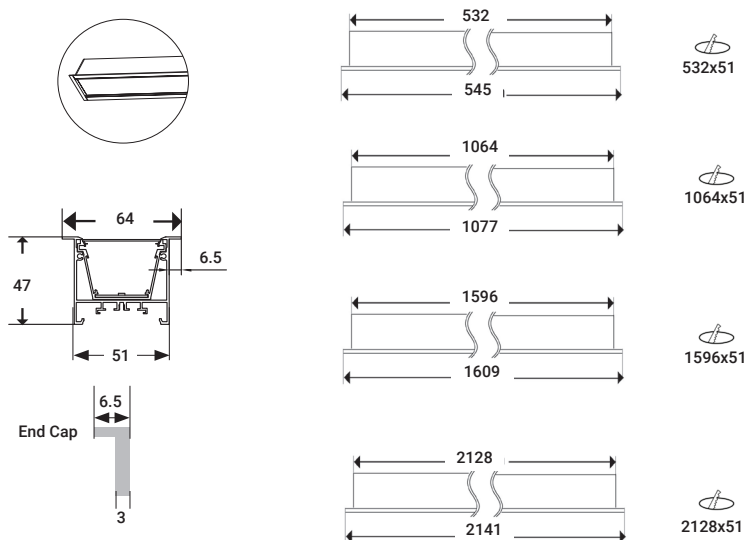
## Performance Data

Efficacy	Up to 116 Lm/W
Operating Temperature	-20°C to +45°C (0°C to 40°C for emergency)
Kelvin	3000K   4000K   5000K   Tunable white 2700K-6500K
Beam Angle	60°
Operating Hours	>50000
CRI	>90 Ra
UGR	<22
Flicker-free	Yes
IP Rating	IP40
IK Rating	IK08
Driver	Remote*
Macadam Ellipse	≤3 sdcM
L70 B50	100,000 hours
L80 B50	90,000 hours
L90 B50	42,000 hours
LEDs	Single bin Samsung

Excellent wall washing effect and a number of optics and customisations



## Dimensions (mm)



\*Driver specifications differ according to product variation and performance. Subject to change without notice. Please contact the office if you require more details.

# Estrella Pro Recessed Wallwash Diffuser Family

## Part Codes

Linear Piece	Wattage	Lumens at 4000K	Running Current	Length (mm)	Weight (kg)
R350504/7W	7W	814	150mA	532	2.1
R350504/14W	14W	1620	300mA		
R350504/26W	26W	2891	550mA		
R351104/14W	14W	1556	300mA	1064	2.6
R351104/28W	28W	3095	600mA		
R351104/52W	52W	5744	1000mA		
R351604/21W	21W	2332	450mA	1596	3.2
R351604/42W	42W	4661	900mA		
R351604/78W	78W	8602	1700mA		
R352104/28W	28W	3123	600mA	2128	4.4
R352104/56W	56W	6251	1200mA		



## Estrella Pro Part Code Builder

<b>Version</b>	R35 Recessed	
<b>Lengths</b>	05 532mm	
	11 1064mm	
	16 1596mm	
<b>Optics</b>	21 2128mm	
	04 Wallwash Diffuser	08 Blank Module
	For more diffuser types see website	
<b>Integrations</b>	/SPTW Integrated tiltable spotlight (Pulsar)	
<b>Colour finish</b>	/WT White	
	/RALxxx Custom RAL (Call us)	
<b>Kelvin</b>	/3K 3000K	/TW Tunable white
	/4K 4000K	
	/5K 5000K	
<b>Wattage</b>	/7W /14W /26W (532mm)	
	/14W /28W /52W (1064mm)	
	/21W /42W /78W (1596mm)	
	/28W /56W /104W (2128mm)	
<b>Emergency</b>	/E 3h Emergency	
	/EMPRO 3h DALI addressable Emergency	
<b>Sensor</b>	/E-Z10 Z10 Integral emergency with remote control testing	
	/PIR PIR sensor	
<b>Casambi</b>	/CC Casambi control	
<b>Dimming</b>	/DALI DALI dimming	
<b>Hygiene</b>	/AM-PC Antimicrobial Powder Coating	

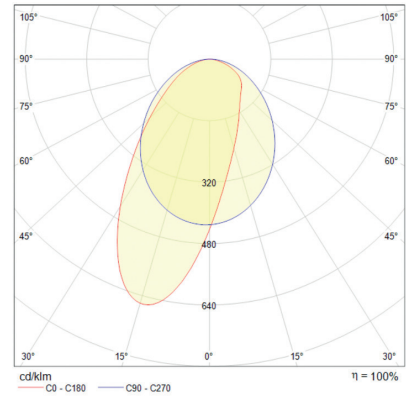


**Full Code Example:** R351604/WT/5K/21W/DD  
 Estrella Pro Recessed Wallwash 1596mm 21W  
 standard white body in 5000K with DALI driver

## Estrella Pro Wallwash Diffuser Family



Light Distribution:



## Estrella Pro Recessed Wallwash add on items

Part Code	Description
R33-11	Estrella Pro recessed clips (pack of 2)
R10-Z10	Z10 Emergency remote control

